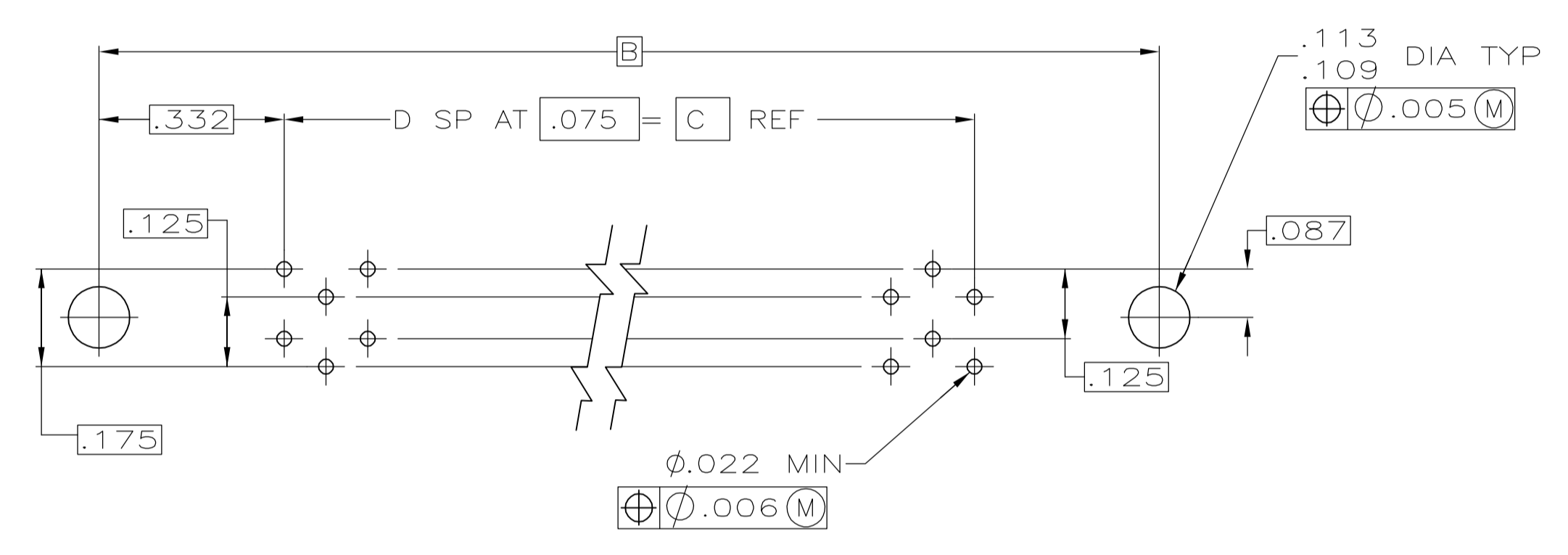
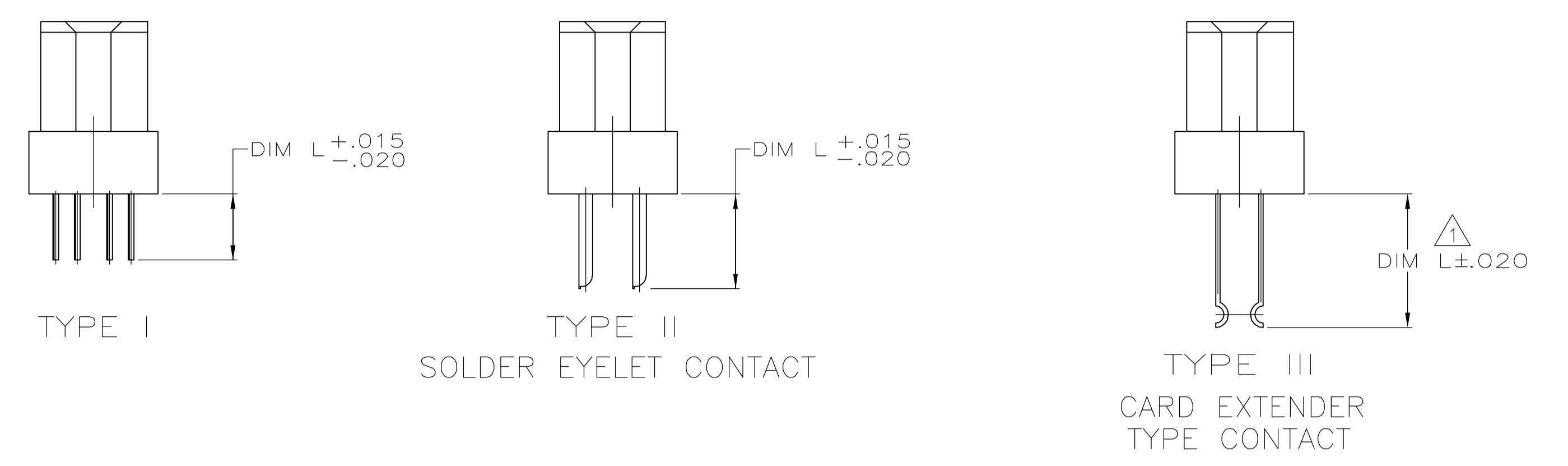
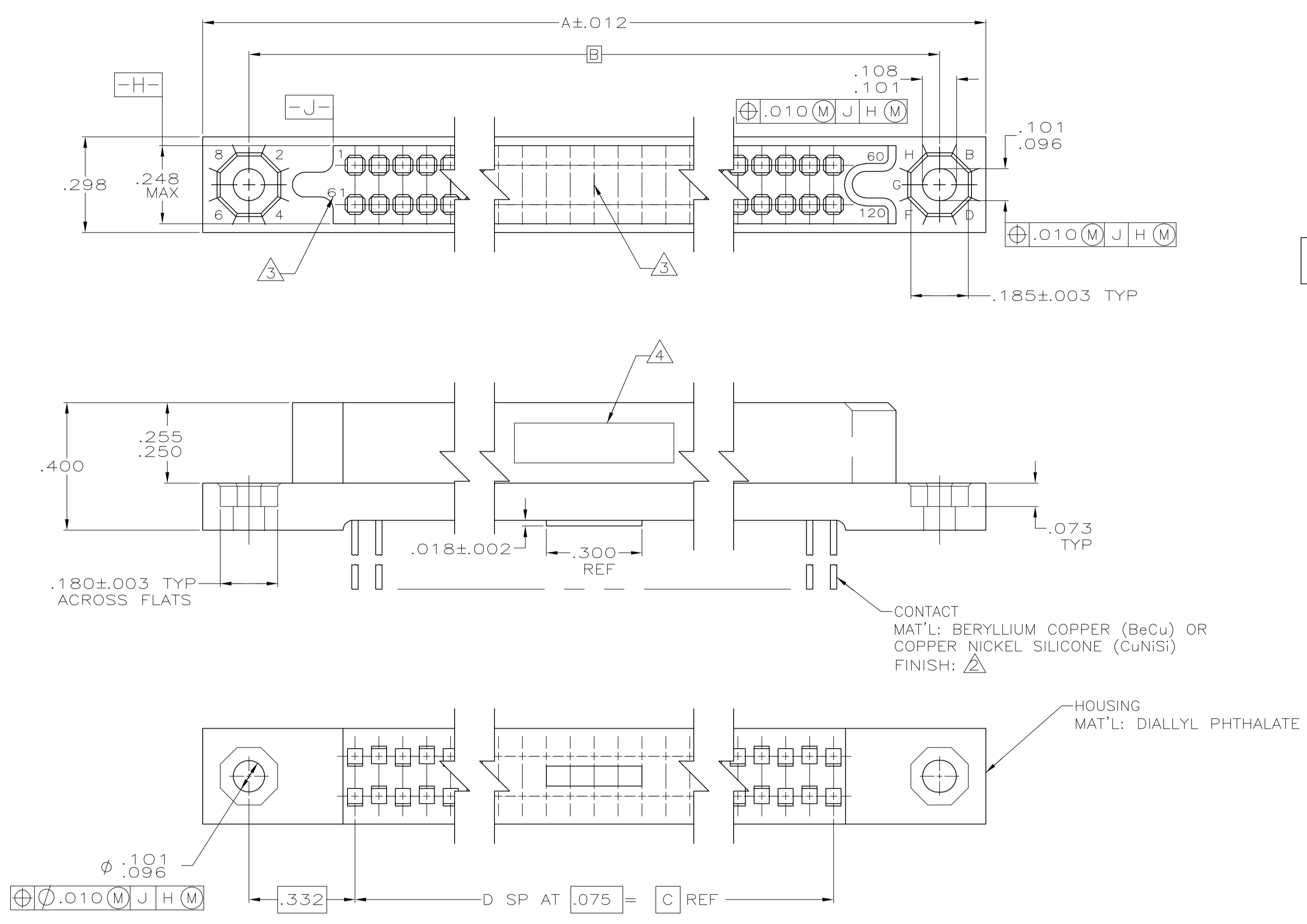


LOC		DIST		REVISIONS			
P	LTR	DESCRIPTION	DATE	BY	APP'D		
R		REV PER ECO-07-004569	08MAR07	PY	ND		



- Δ WHEN ORDERING LOOSE PIECE CONTACTS (583452-4) FOR TYPE III ASSEMBLIES, CONTACTS HAVE A STRAIGHT POST. CUSTOMER MUST FORM AS SHOWN.
- Δ CONTACT FINISH: GOLD OVER NICKEL IN CONTACT AREA, TIN-LEAD IN TAIL AREA.
- Δ NUMBERS (SEE CHART) AND LINES INDICATING EVERY 5 CAVITIES MOLDED OR MARKED ON THIS SURFACE.
- Δ AMP, DATE CODE AND AMP PART NO. MARKED IN THIS AREA.

OBSOLETE	.315		1 - 60 61 - 120	59	4.425	5.090	5.380	583452-4 Δ	120	1-583247-6
	.235		1 - 90 91 - 180	89	6.675	7.340	7.630	202946-2	180	1-583247-5
OBSOLETE	.156		1 - 80 81 - 160	79	5.925	6.590	6.880	202946-1	160	1-583247-4
OBSOLETE	.220		1 - 60 61 - 120	59	4.425	5.090	5.380	583218-1	120	1-583247-3
OBSOLETE	.235		1 - 60 61 - 120	59	4.425	5.090	5.380	202946-2	120	1-583247-2
OBSOLETE	.220		1 - 80 81 - 160	79	5.925	6.590	6.880	583218-1	160	1-583247-1
OBSOLETE	.315		1 - 60 61 - 120	59	4.425	5.090	5.380	583452-4 Δ	120	1-583247-0
OBSOLETE	.315		1 - 80 81 - 160	79	5.925	6.590	6.880	583452-4 Δ	160	583247-9
OBSOLETE	.315		1 - 75 76 - 150	89	6.675	7.340	7.630	583452-4 Δ	180	583247-8
OBSOLETE	.315		1 - 75 76 - 150	74	5.550	6.215	6.505	583452-4 Δ	150	583247-7
OBSOLETE	.220		1 - 90 91 - 180	74	5.550	6.215	6.505	583218-1	150	583247-6
OBSOLETE	.220		1 - 90 91 - 180	89	6.675	7.340	7.630	583218-1	180	583247-5
OBSOLETE	.220		1 - 60 61 - 120	59	4.425	5.090	5.380	583218-1	120	583247-4
OBSOLETE	.156		1 - 75 76 - 150	74	5.550	6.215	6.505	202946-1	150	583247-3
OBSOLETE	.156		1 - 90 91 - 180	89	6.675	7.340	7.630	202946-1	180	583247-2
OBSOLETE	.156		1 - 60 61 - 120	59	4.425	5.090	5.380	202946-1	120	583247-1
	DIM L	TYPE	CAVITY IDENT	DIM D	DIM C	DIM B	DIM A	LOOSE PIECE CONTACT NO.	NO OF POSN	ASSEMBLY NUMBER

THIS DRAWING IS A CONTROLLED DOCUMENT.

DIMENSIONS: INCHES

TOLERANCES UNLESS OTHERWISE SPECIFIED:

0 PLC	\pm	-
1 PLC	\pm	-
2 PLC	\pm	-
3 PLC	\pm	.005
4 PLC	\pm	-
ANGLES	\pm	°

MATERIAL: - FINISH: -

THIS DRAWING IS A CONTROLLED DOCUMENT.

DWG: C.C. THOMAS 12-9-96

CHK: D. MILLER 1-28-97

APP'D: D. MILLER 1-28-97

NAME: D. MILLER

PRODUCT SPEC: -

APPLICATION SPEC: -

WEIGHT: -

CUSTOMER DRAWING

tyco Electronics Tyco Electronics Corporation Harrisburg, PA 17105-3608

RCPT ASSY, BOX, 750 SERIES

SIZE: A1

SCALE: 4:1

SHEET: 1 of 1

REV: R