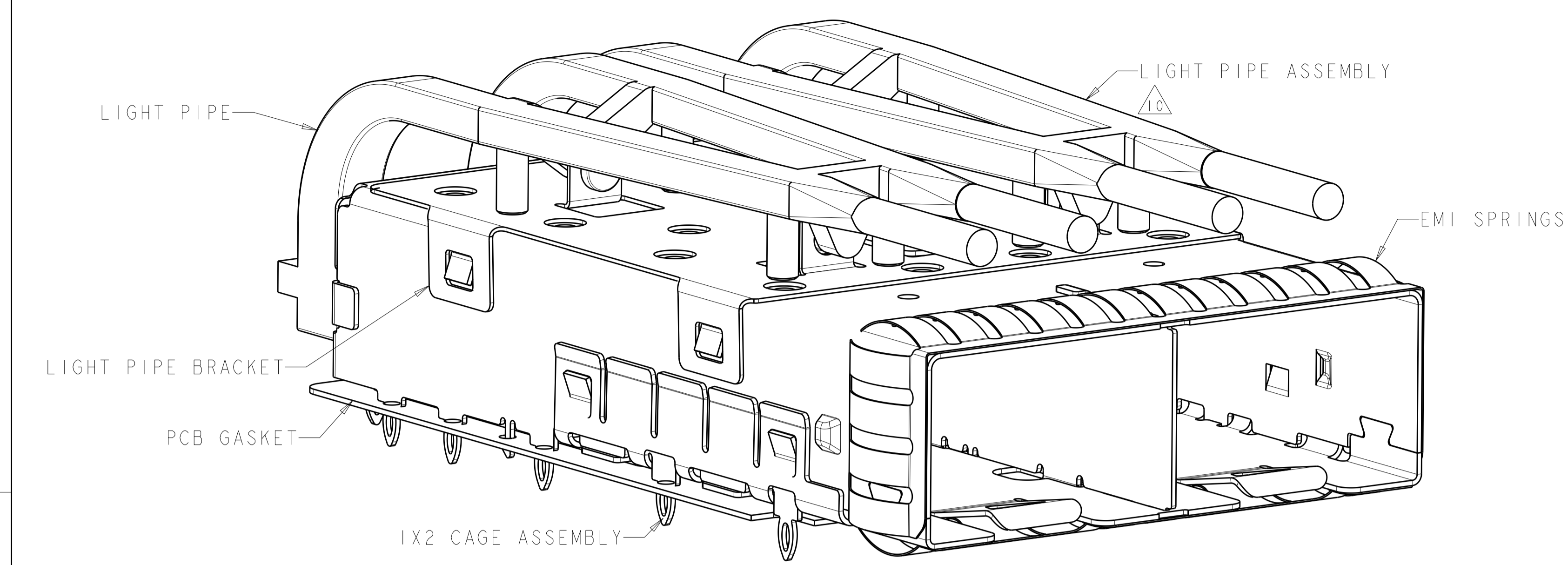
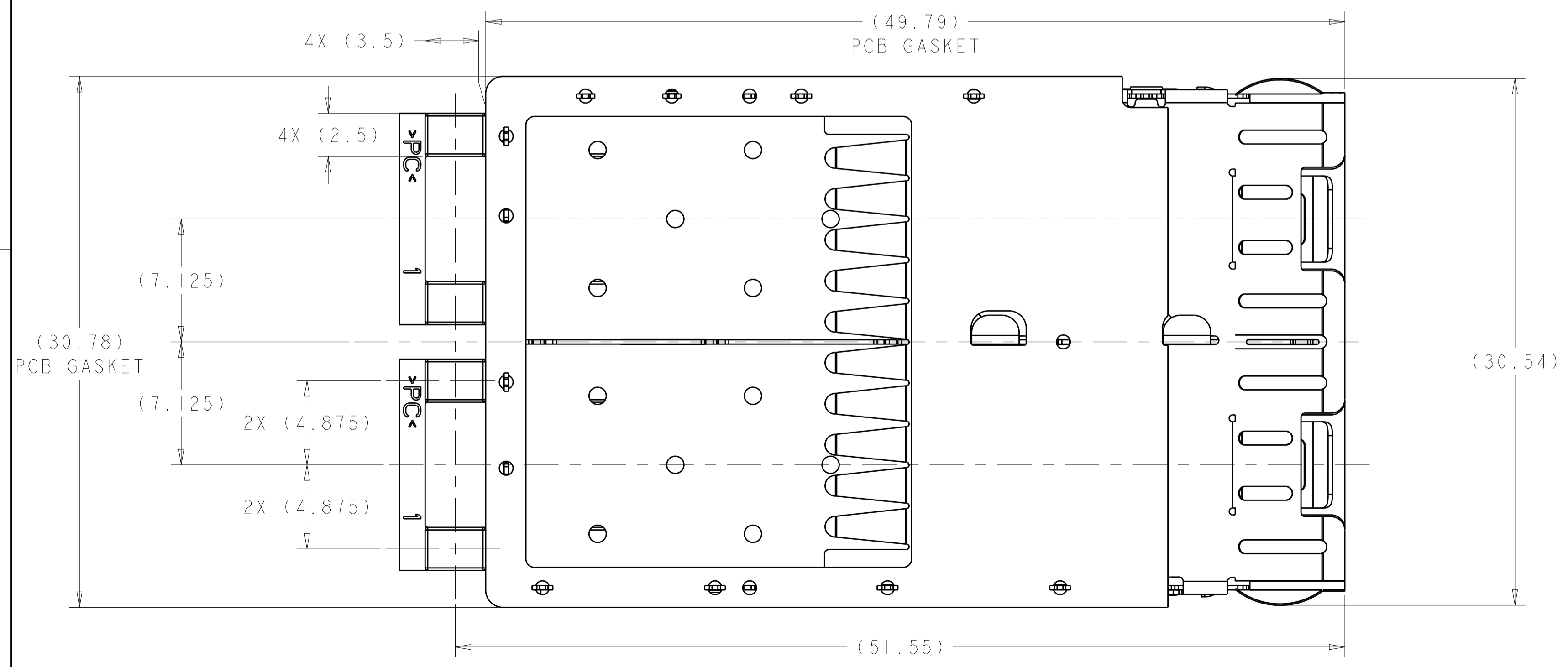
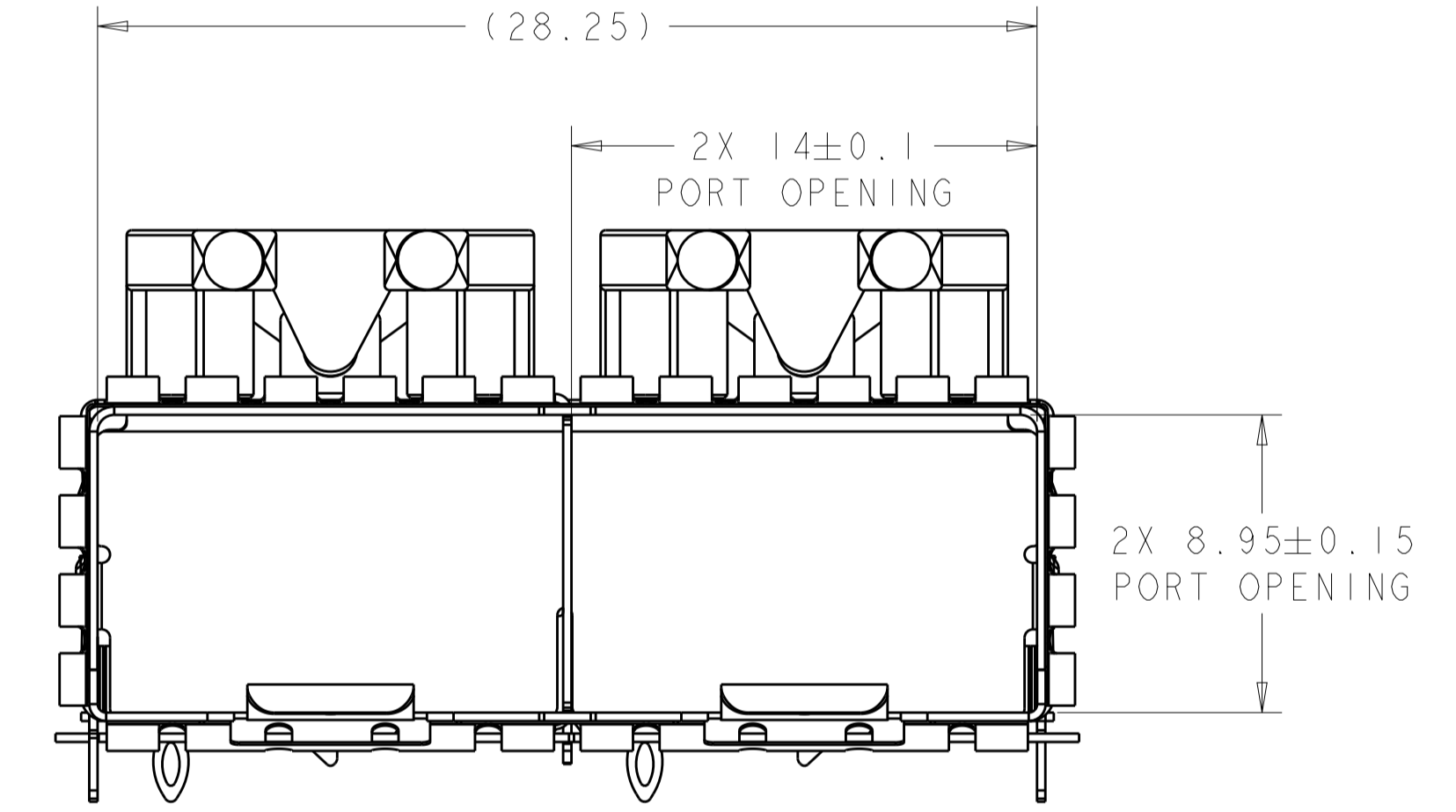
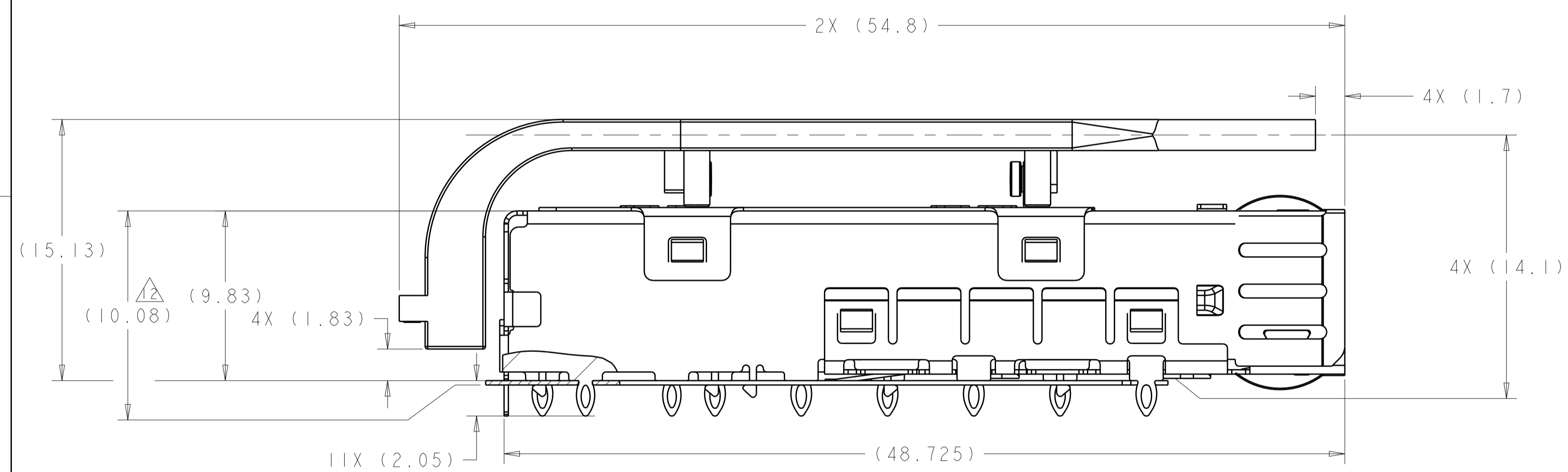


LOC	DIST	REVISIONS					
GP	00	P	LTN	DESCRIPTION	DATE	DWN	APVD
		A		REVISED PER ECO-15-002647	05MAR2015	AP	MS
		B		REVISED PER ECO-16-014593	13FEB2017	JW	SH



2227727-1
 SCALE 6:1

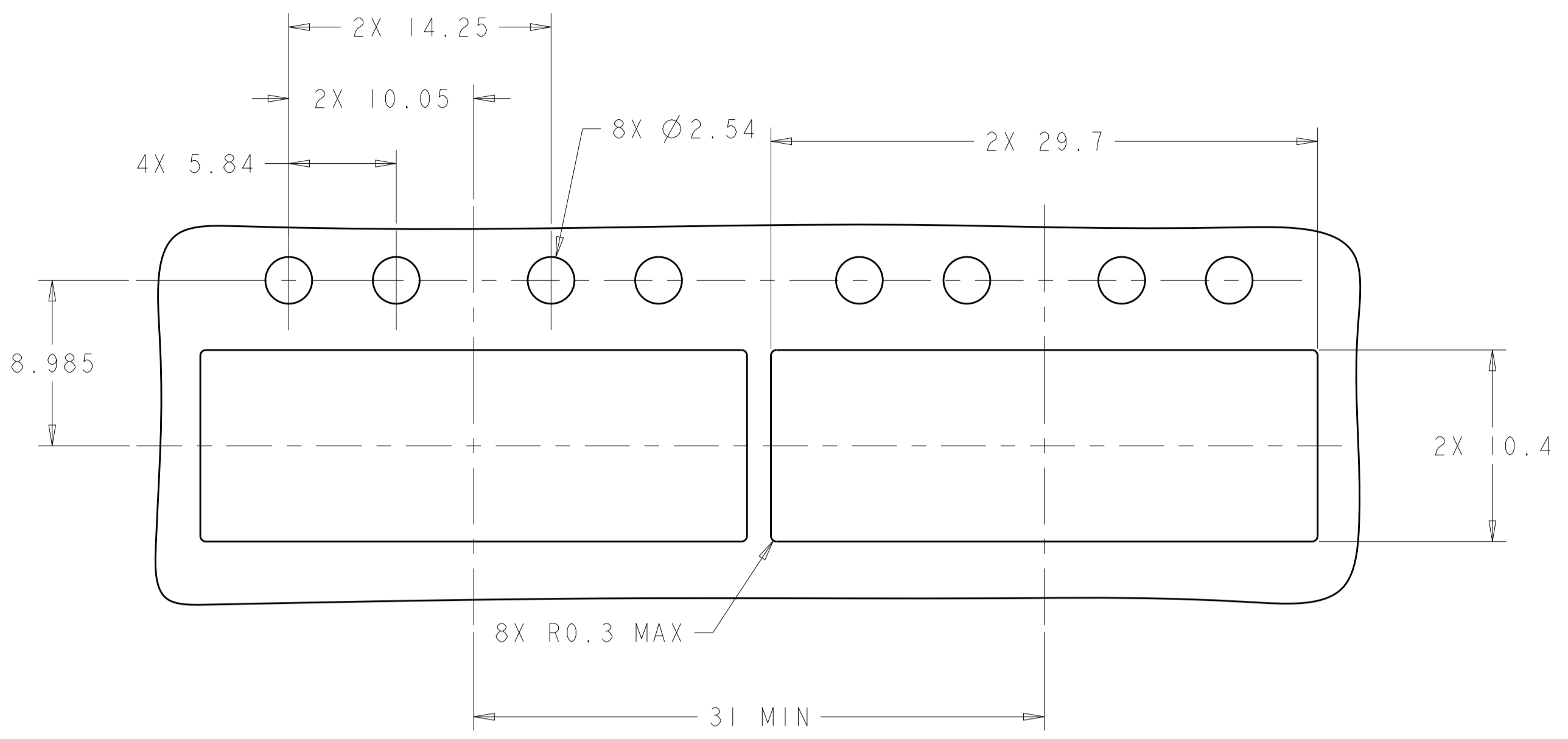
- 1 MATERIAL:
 CAGE ASSEMBLY: NICKEL SILVER ALLOY, (0.25mm)
 PCB GASKET: RF ABSORBER
 EMI SPRINGS: PHOSPHOR BRONZE
 LIGHT PIPE BRACKET: STAINLESS STEEL
 LIGHT PIPE: POLYCARBONATE, CLEAR
- 2 MINIMUM PC BOARD THICKNESS:
 SINGLE SIDE = 1.45mm
 BELLY TO BELLY = 2.25mm
- 3 PADS AND VIAS CHASSIS GROUND
- 4 DATUM AND BASIC DIMENSION ESTABLISHED BY CUSTOMER
- 5. MATES WITH SFP MSA COMPLIANT TRANSCEIVERS
- 6. INTERPRETATION OF DATUM REFERENCE FRAME IN ACCORDANCE WITH SECT 4.4.1.1 OF ASME Y14.5M-1994
- 7 REFERENCE APPLICATION SPEC. 114-13120, HOLE A, FOR RECOMMENDED DRILL HOLE DIAMETER AND PLATING THICKNESS
- 8 REFERENCE APPLICATION SPEC. 114-13120, HOLE B, FOR RECOMMENDED DRILL HOLE DIAMETER AND PLATING THICKNESS
- 9 HOLE PATTERN REPEATS FOR EACH PORT, SPACING BETWEEN PORTS IS 14.25mm
- 10 LIGHT PIPE ASSEMBLY SHIPPED UNASSEMBLED TO CAGE ASSEMBLY, CAGE ASSEMBLY TO BE PRESSED INTO THE PCB PRIOR TO ATTACHING LIGHT PIPE ASSEMBLY TO CAGE
- 11. PRODUCT COMPLIES WITH SPECIFICATION SFF-8433, IMPROVED PLUGGABLE FORM FACTOR FOR SFP+ GANGED CAGES
- 12 CONTACT STANDOFF WILL PIERCE GASKET WHEN PROPERLY PRESSED INTO PCB.



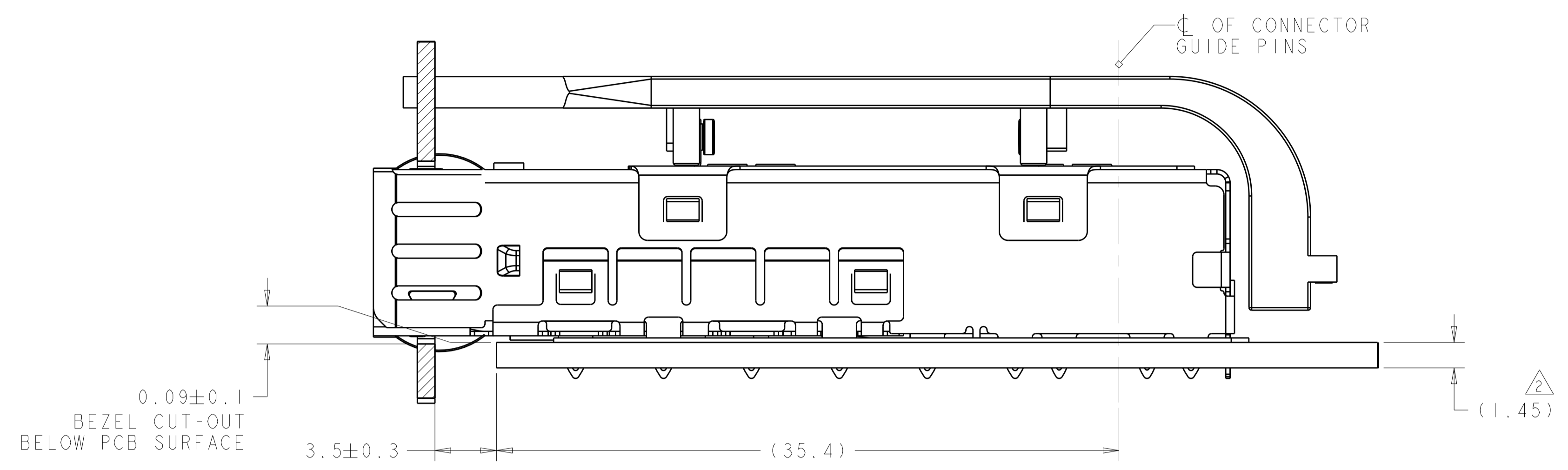
2227727-1
 PART NUMBER

THIS DRAWING IS A CONTROLLED DOCUMENT.		OWN: M.E. CONNER 14FEB2013	TE Connectivity
DIMENSIONS: mm		CHK: M.D. MORRISON 14FEB2013	
TOLERANCES UNLESS OTHERWISE SPECIFIED:		APVD: M.J. PHILLIPS 14FEB2013	NAME: CAGE ASSEMBLY WITH LIGHT PIPES, PRESS-FIT, EMI SPRINGS, 1X2, zSFP+
0 PLC ±0.1 1 PLC ±0.1 2 PLC ±0.08 3 PLC ±0.05 4 PLC ±0.05 ANGLES ±0.05		PRODUCT SPEC: 108-2364	
MATERIAL: SEE NOTES		FINISH: -	APPLICATION SPEC: 114-13120
		RESTRICTION: -	SIZE: A1
		WEIGHT: -	CAGE CODE: 2227727
		Customer Drawing	SCALE: 5:1 SHEET 1 OF 4 REV B

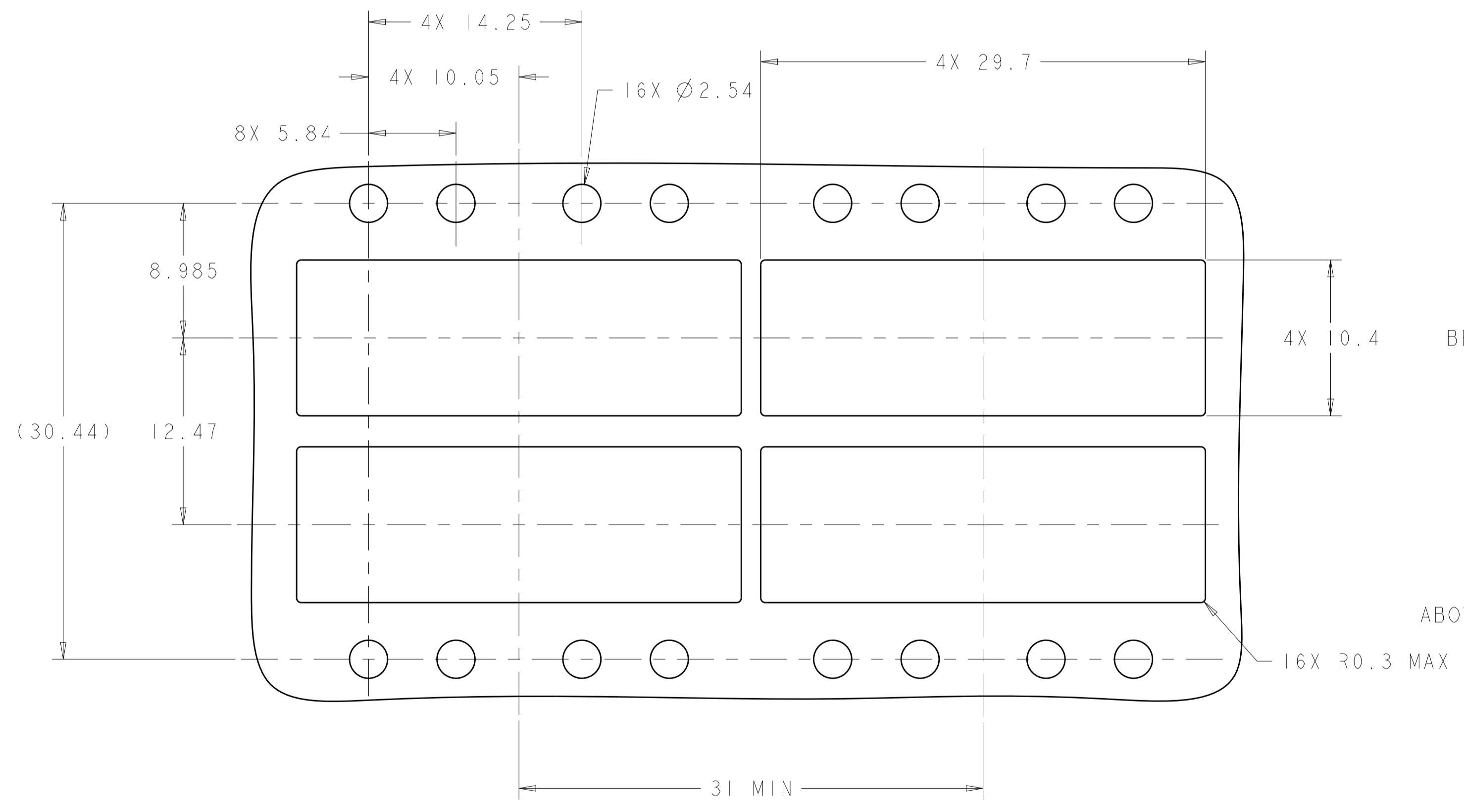
LOC	DIST	REVISIONS					
GP	00	P.	LTN	DESCRIPTION	DATE	DWN	APVD
		-	-	SEE SHEET 1	-	-	-



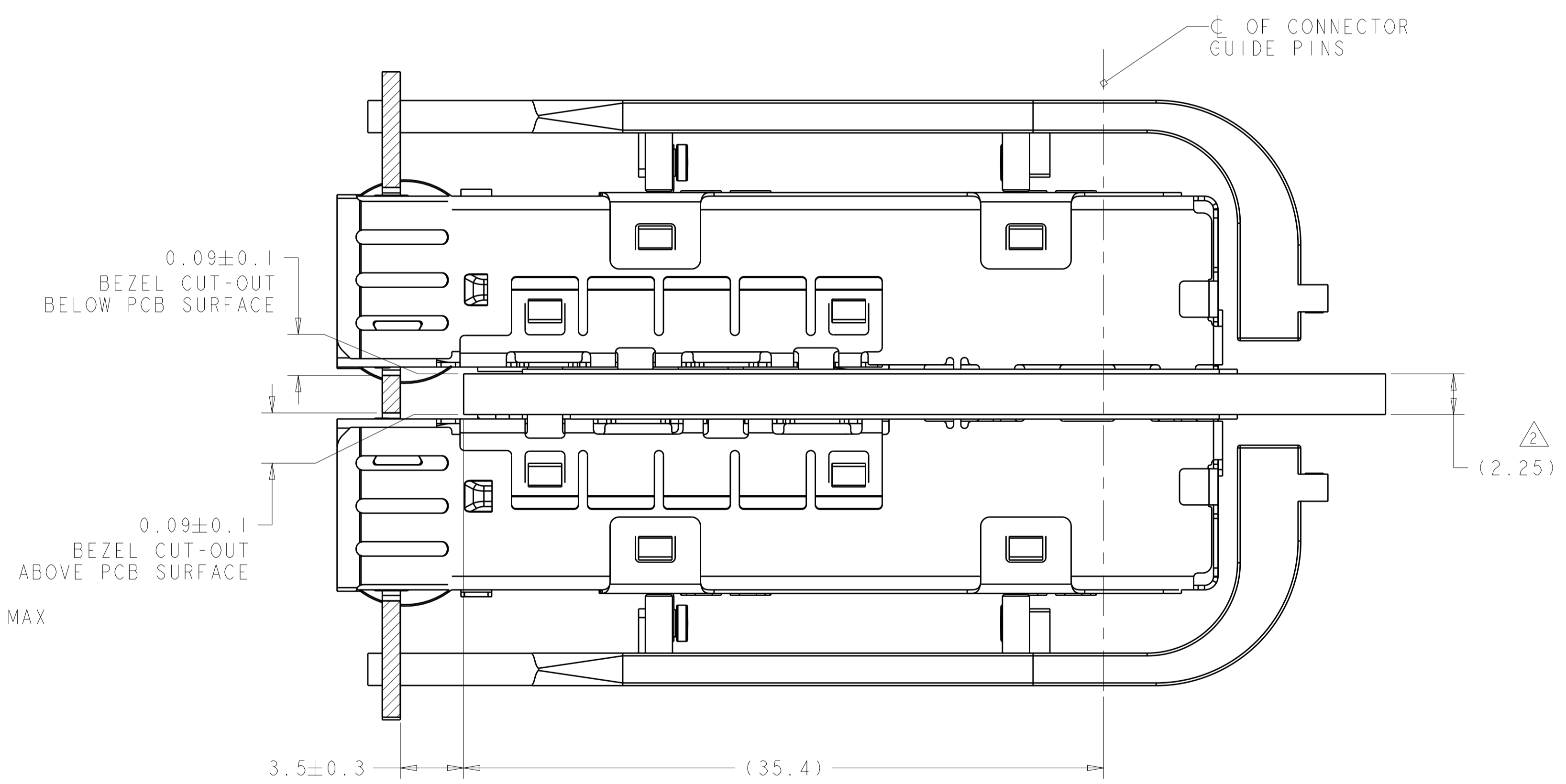
RECOMMENDED BEZEL OPENING
 SINGLE SIDED APPLICATIONS
 SCALE 4:1



MOUNTED ON PC BOARD
 SHOWN THRU RECOMMENDED BEZEL
 SCALE 5:1



RECOMMENDED BEZEL OPENING
 BELLY TO BELLY APPLICATIONS
 SCALE 4:1



MOUNTED BELLY TO BELLY ON PC BOARD
 SHOWN THRU RECOMMENDED BEZEL
 SCALE 5:1

THIS DRAWING IS A CONTROLLED DOCUMENT.		DWN M. E. CONNER 14FEB2013	TE Connectivity	
DIMENSIONS:		CHK M. D. MORRISON 14FEB2013	NAME	
mm	TOLERANCES UNLESS OTHERWISE SPECIFIED:	APVD M. J. PHILLIPS 14FEB2013	CAGE ASSEMBLY WITH LIGHT PIPES, PRESS-FIT, EMI SPRINGS, 1X2, zSFP+	
0 PLC ±0.1 1 PLC ±0.1 2 PLC ±0.08 3 PLC ±0.05 4 PLC ±0.05 ANGLES ±0.05 FINISH ±1°		PRODUCT SPEC 108-2364	SIZE CAGE CODE DRAWING NO	
MATERIAL SEE NOTES		APPLICATION SPEC 114-13120	RESTRICTED TO	
		WEIGHT	A100779C=2227727	
		Customer Drawing	SCALE 5:1	SHEET 2 OF 4 REV B

