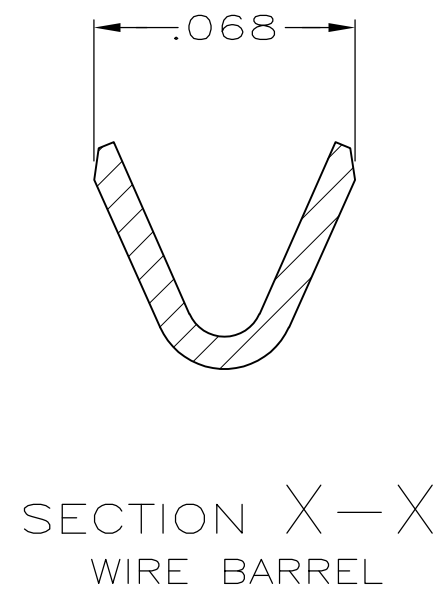
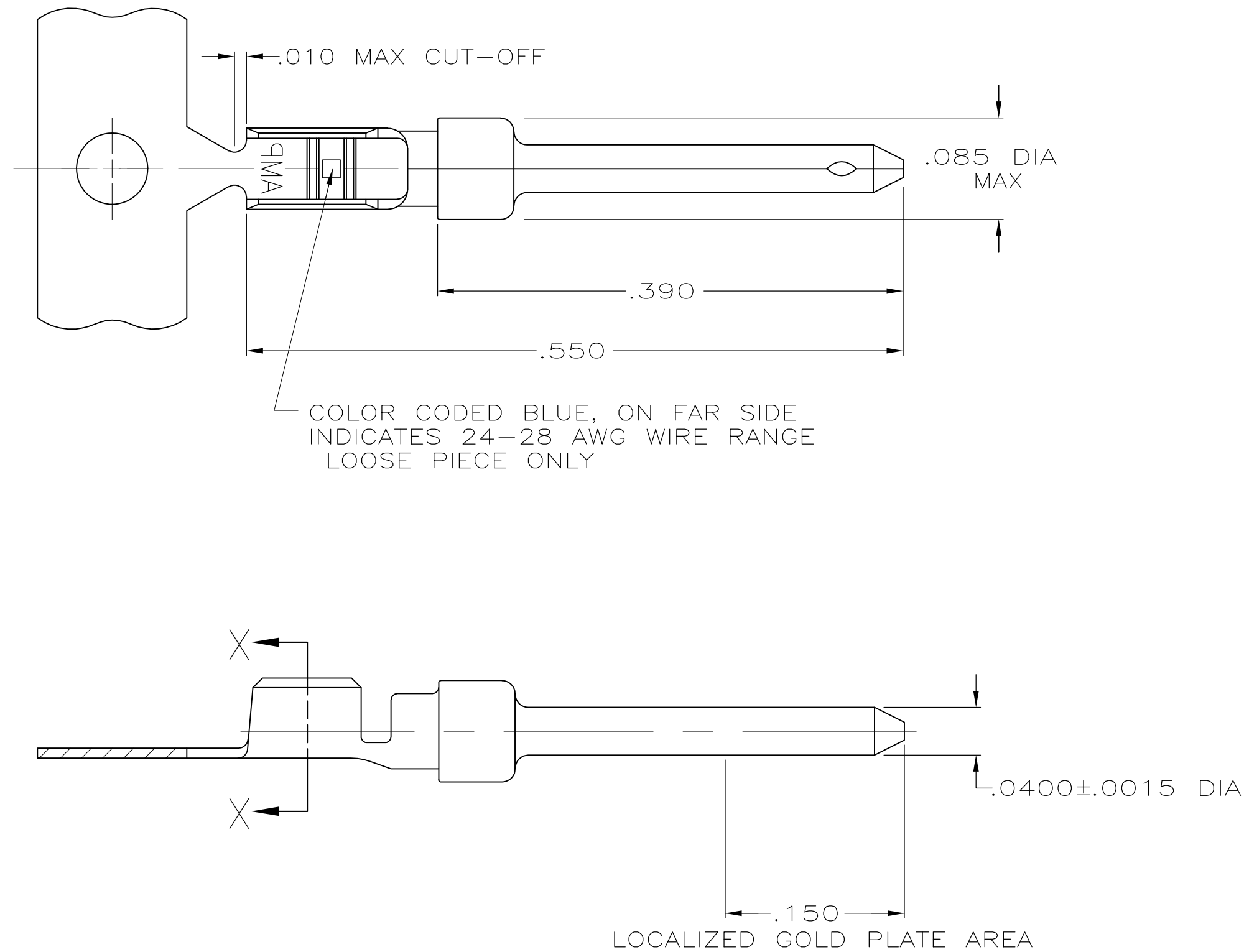


THIS DRAWING IS UNPUBLISHED. RELEASED FOR PUBLICATION
 © COPYRIGHT - By - ALL RIGHTS RESERVED.

LOC		DIST		REVISIONS			
P	LTR	DESCRIPTION	DATE	DWN	APVD		
GP	00	AA	OBSOLETE 205310 PER ECO-12-010246	31JUL2012	CJV	CWR	



- 1 FOR MINI-APPLICATOR.
- 2 FOR HAND TOOL USE ONLY.
- 3 FOR STANDARD APPLICATOR PART #566043 ONLY.
- 4. WIRE RANGE OF 24-28 AWG, .068 MAX INSULATION DIA.
- 5. GOLD PLATING MAY NOT APPEAR ON CARRIER STRIP.
- 6 GOLD PLATING PER MIL-G-45204.
NICKEL PLATING PER QQ-N-290.
TIN PLATING PER MIL-T-10727.
COPPER PER MIL-C-14550.
- 7 GOLD PLATED IN LOCALIZED GOLD PLATE AREA AS FOLLOWS:
.000030 MIN GOLD IN MATED AREA,
GOLD FLASH ON REMAINDER OF CONTACT, ALL OVER
.000050 MIN NICKEL UNDERPLATE.
OR
GOLD FLASH OVER
PALLADIUM-NICKEL PLATE, .000030 MIN TOTAL IN MATED AREA,
GOLD FLASH ON REMAINDER OF CONTACT, ALL OVER
.000050 MIN NICKEL UNDERPLATE.
- 8 PLATED WITH .000050 MIN GOLD OVER
.000050 MIN NICKEL.
- 9 PLATED WITH GOLD FLASH OVER
.000030 NICKEL.
- 10 PLATED WITH .000100-.000200 TIN.
- 11 GOLD PLATED IN LOCALIZED GOLD PLATED AREA,
.000050 MIN GOLD IN MATED AREA,
GOLD FLASH ON REMAINDER, OVER
.000050 MIN NICKEL.
- 12 PLATED WITH GOLD FLASH IN LOCALIZED GOLD PLATE AREA,
TIN PLATED WIRE BARREL, OVER
.000030 NICKEL.
- 13 GOLD PLATED IN LOCALIZED GOLD PLATED AREA, .000030 GOLD
IN MATED AREA, TIN PLATED WIRE BARREL, OVER .000050
NICKEL.
- 14 OBSOLETE PART NUMBER.

OBSOLETE	13		2-205310-7	2-205310-5
OBSOLETE	12		14 2-205310-4	14 2-205310-2
	11	14 2-205310-1	14 2-205310-0	14 1-205310-8
	10			14 1-205310-4
OBSOLETE	9		14 1-205310-0	205310-4
	8			14 205310-3
	7	1-205310-1	14 205310-8	205310-2
FINISH	6	REVERSE REELED 3	LOOSE PIECE 2	PART NUMBER 1

THIS DRAWING IS A CONTROLLED DOCUMENT. DIMENSIONING AND TOLERANCING PER ASME Y14.5M-2009

DWN S.WELDON 9-9-86
 CHK C.RICHARD 9-9-86

TE Connectivity

PIN CONTACT, SIZE 20 DF, 24-28 AWG, .068 MAX

MATERIAL: BRASS PER MIL-C-50
 FINISH: SEE TABLE

APVD: -
 PRODUCT SPEC: -
 APPLICATION SPEC: -

SIZE: A2
 CAGE CODE: 00779
 DRAWING NO: C=205310
 RESTRICTED TO: -

CUSTOMER DRAWING
 SCALE: 10:1
 SHEET: 1 of 1
 REV: AA