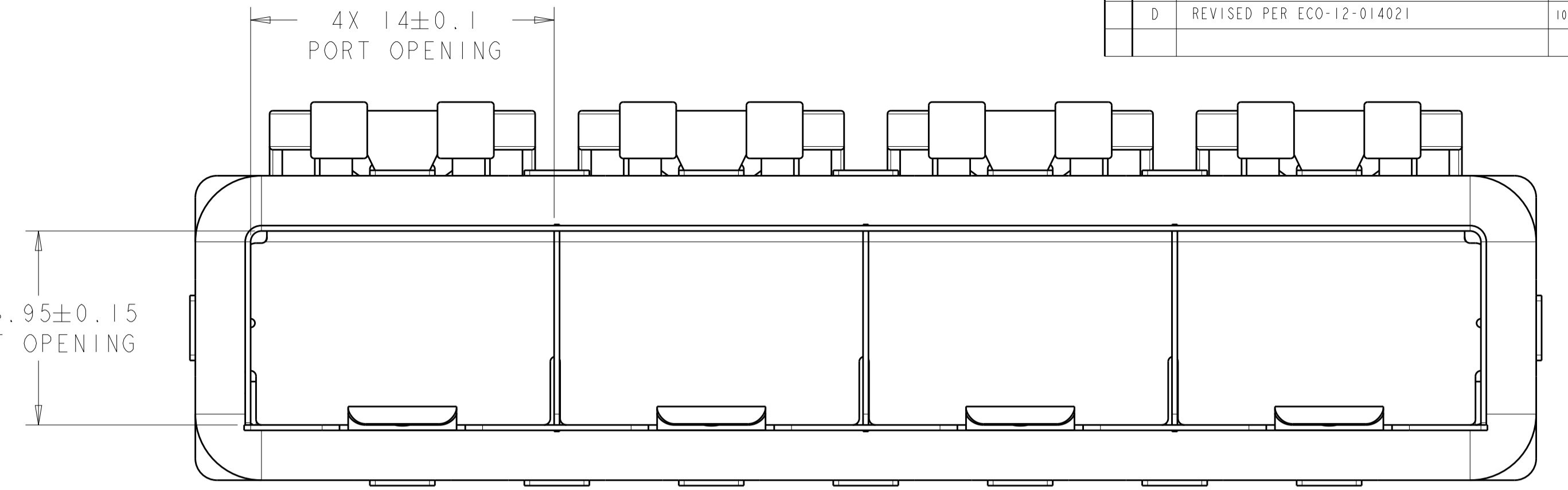
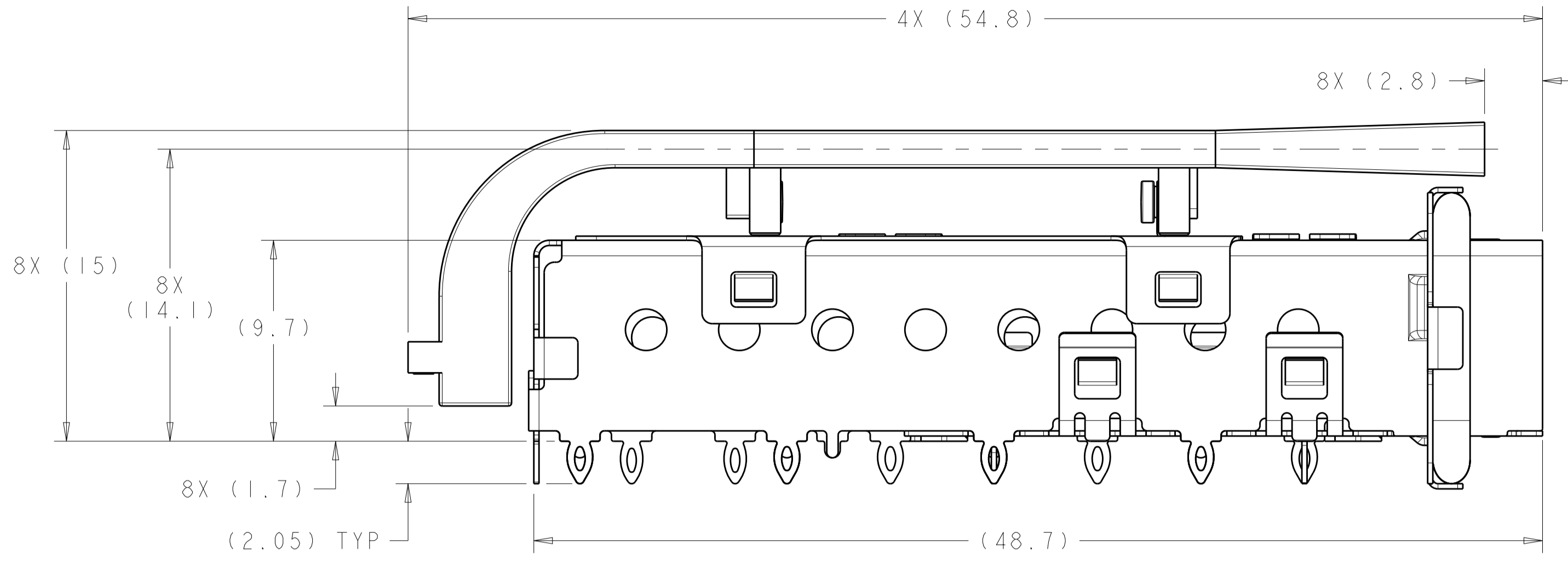
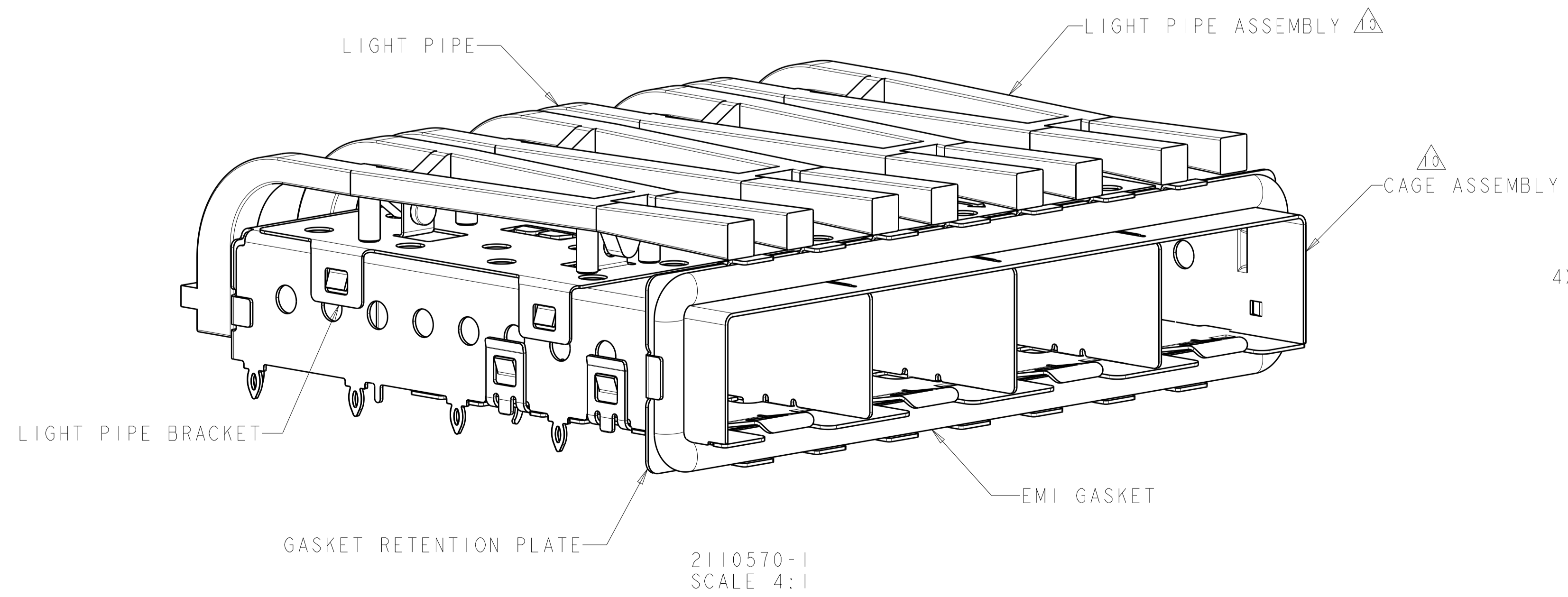
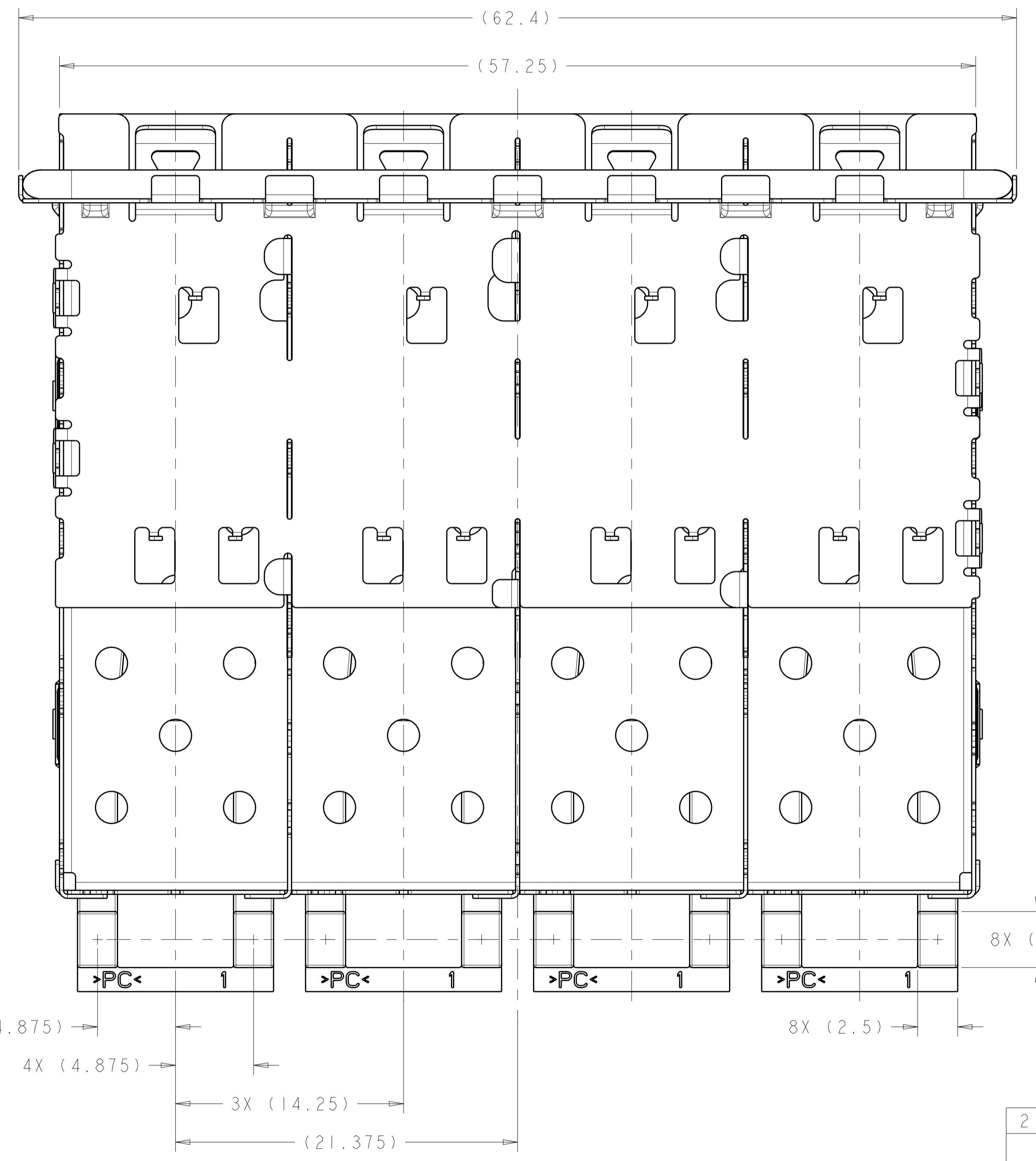


| LOC | DIST | REVISIONS | | | | | |
|-----|------|-----------|-----|---------------------------|-----------|-----|------|
| GP | 00 | P | LTN | DESCRIPTION | DATE | DWN | APVD |
| | | B | | REVISE PER ECO-09-022874 | 9OCT2009 | ZMR | MRS |
| | | C | | REVISED PER ECO-10-004036 | 91MAR2010 | CJV | MRS |
| | | D | | REVISED PER ECO-12-014021 | 10DEC2012 | TD | AC |



- 1 MATERIAL:
 CAGE ASSEMBLY - 0.25mm THICK NICKEL SILVER ALLOY
 GASKET RETENTION PLATE - STAINLESS STEEL
 GASKET - PLATED FILLED SILICONE
 LIGHT PIPE BRACKET - STAINLESS STEEL
 LIGHT PIPE - POLYCARBONATE, CLEAR
- 2 MINIMUM PC BOARD THICKNESS = 1.50mm.
- 3 PADS AND VIAS CHASSIS GROUND.
- 4 DATUM AND BASIC DIMENSION ESTABLISHED BY CUSTOMER.
- 5. MATES WITH SFP MSA COMPLIANT TRANSCEIVERS.
- 6. INTERPRETATION OF DATUM REFERENCE FRAME IN ACCORDANCE WITH SECT 4.4.1.1 OF ASME Y14.5M-1994.
- 7 REFERENCE APPLICATION SPEC. 114-13120, HOLE A, FOR RECOMMENDED DRILL HOLE DIAMETER AND PLATING THICKNESS.
- 8 REFERENCE APPLICATION SPEC. 114-13120, HOLE B, FOR RECOMMENDED DRILL HOLE DIAMETER AND PLATING THICKNESS.
- 9 HOLE PATTERN REPEATS FOR EACH PORT. SPACING BETWEEN PORTS IS 14.25mm.
- 10 LIGHT PIPE ASSEMBLY SHIPPED UNASSEMBLED TO CAGE ASSEMBLY. CAGE ASSEMBLY TO BE PRESSED INTO THE PCB PRIOR TO ATTACHING THE LIGHT PIPE ASSEMBLY TO THE CAGE.
- 11. PRODUCT COMPLIES WITH SPECIFICATION SFF-8433 IMPROVED PLUGGABLE FORM FACTOR FOR SFP+ GANGED CAGES.



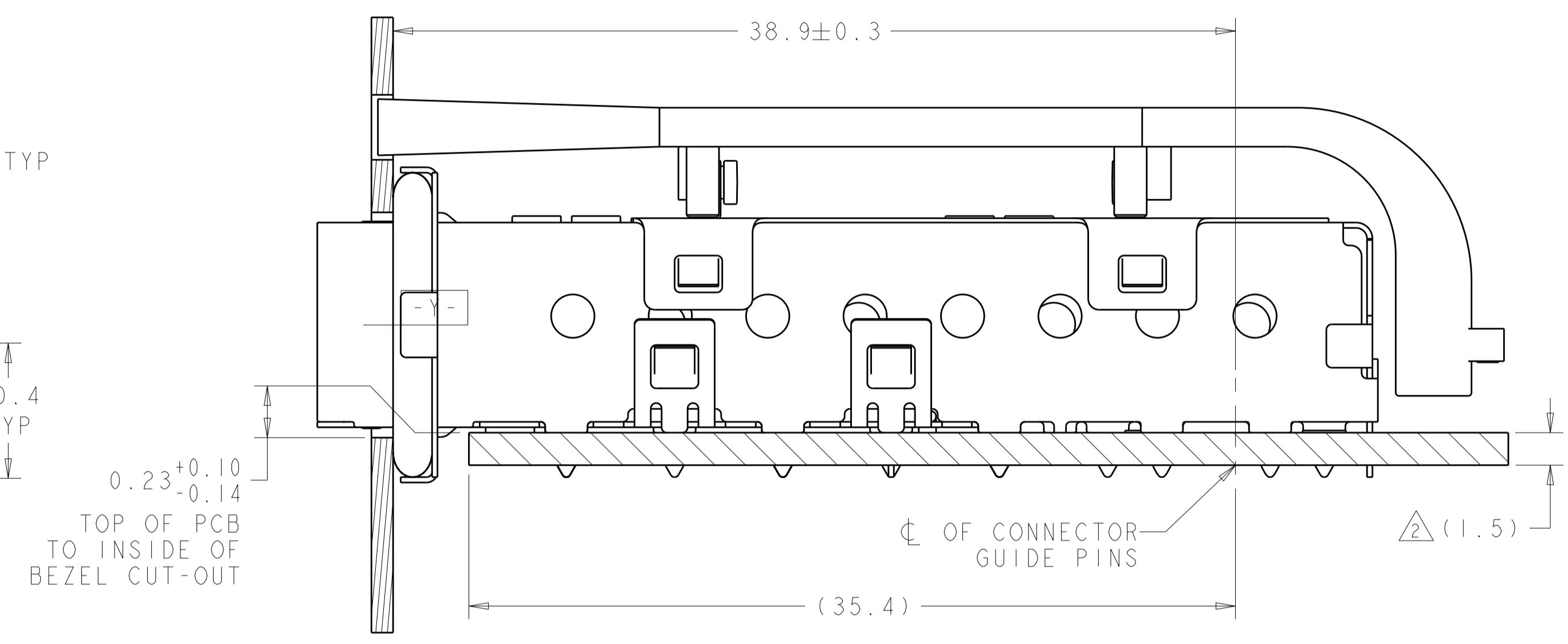
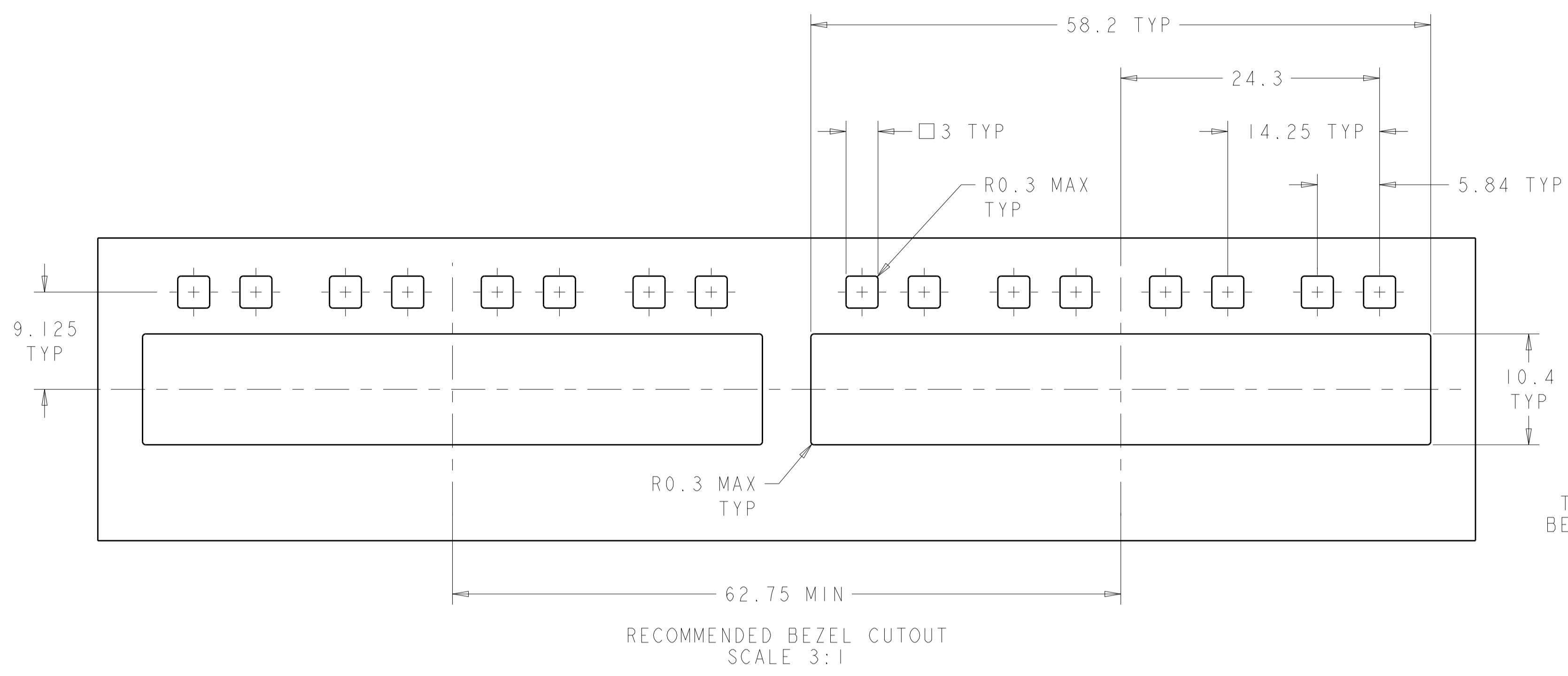
2110570-1
 SCALE 4:1

2110570-1
 PART NUMBER

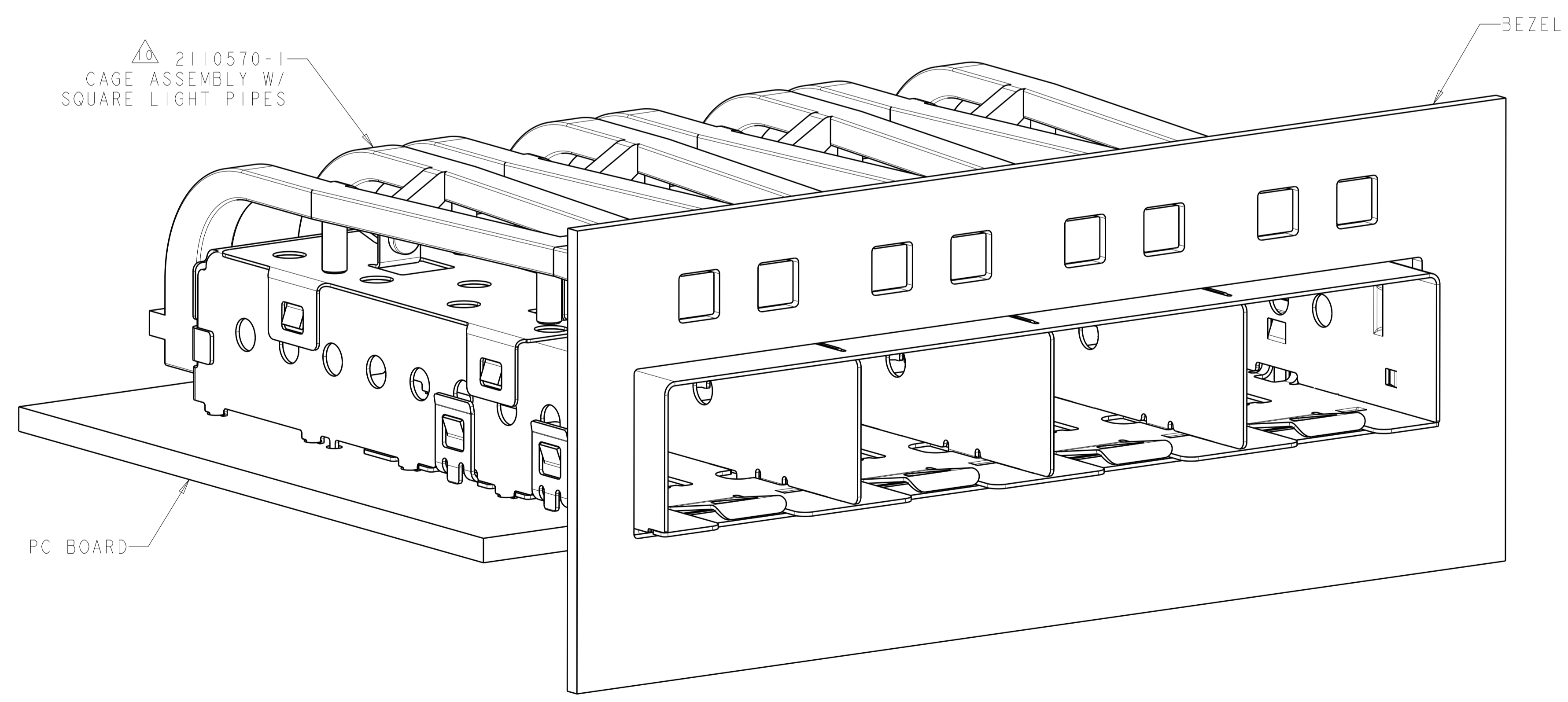
| | | | |
|--|--|-----------------------------------|--|
| THIS DRAWING IS A CONTROLLED DOCUMENT. | | DWN Z. M. BEAM 13APR2009 | TE Connectivity SFP+ 1X4 CAGE ASSEMBLY, PRESS FIT, EMI GASKET, W/ REDUCED LENGTH SQUARE LIGHT PIPES |
| DIMENSIONS: | | CHK M. R. SCHMITT 13APR2009 | |
| TOLERANCES UNLESS OTHERWISE SPECIFIED: | | APVD B. H. WERTZ 13APR2009 | |
| mm | | PRODUCT SPEC 108-2364 | |
| 0 PLC ±0.1 | | APPLICATION SPEC 114-13120 | SIZE A100779 |
| 1 PLC ±0.1 | | WEIGHT | CAGE CODE 2110570 |
| 2 PLC ±0.1 | | FINISH | RESTRICTED TO |
| 3 PLC ±0.1 | | | Customer Drawing |
| 4 PLC ±0.1 | | | SCALE 1:1 SHEET 1 OF 3 REV D |
| ANGLES ±0.1 | | | |

| LOC | DIST | REV | DATE | BY | APPV |
|-----|------|-----|------|----|------|
| GP | 00 | | | | |

| REVISIONS | | | |
|-----------|------|----|------|
| REV | DATE | BY | APPV |
| - | - | - | - |
| - | - | - | - |



2110570-1
MOUNTED ON PC BOARD SHOWN
THRU RECOMMENDED BEZEL

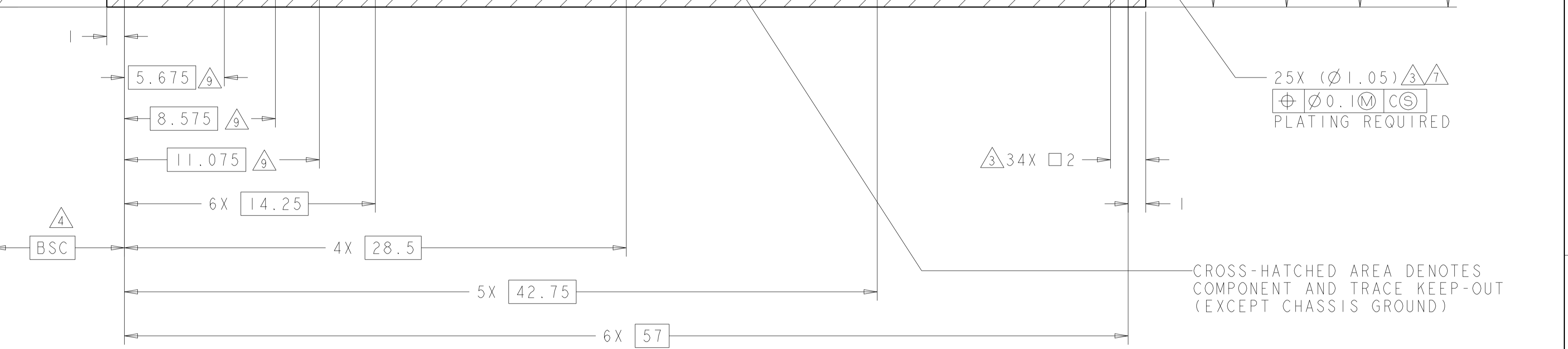
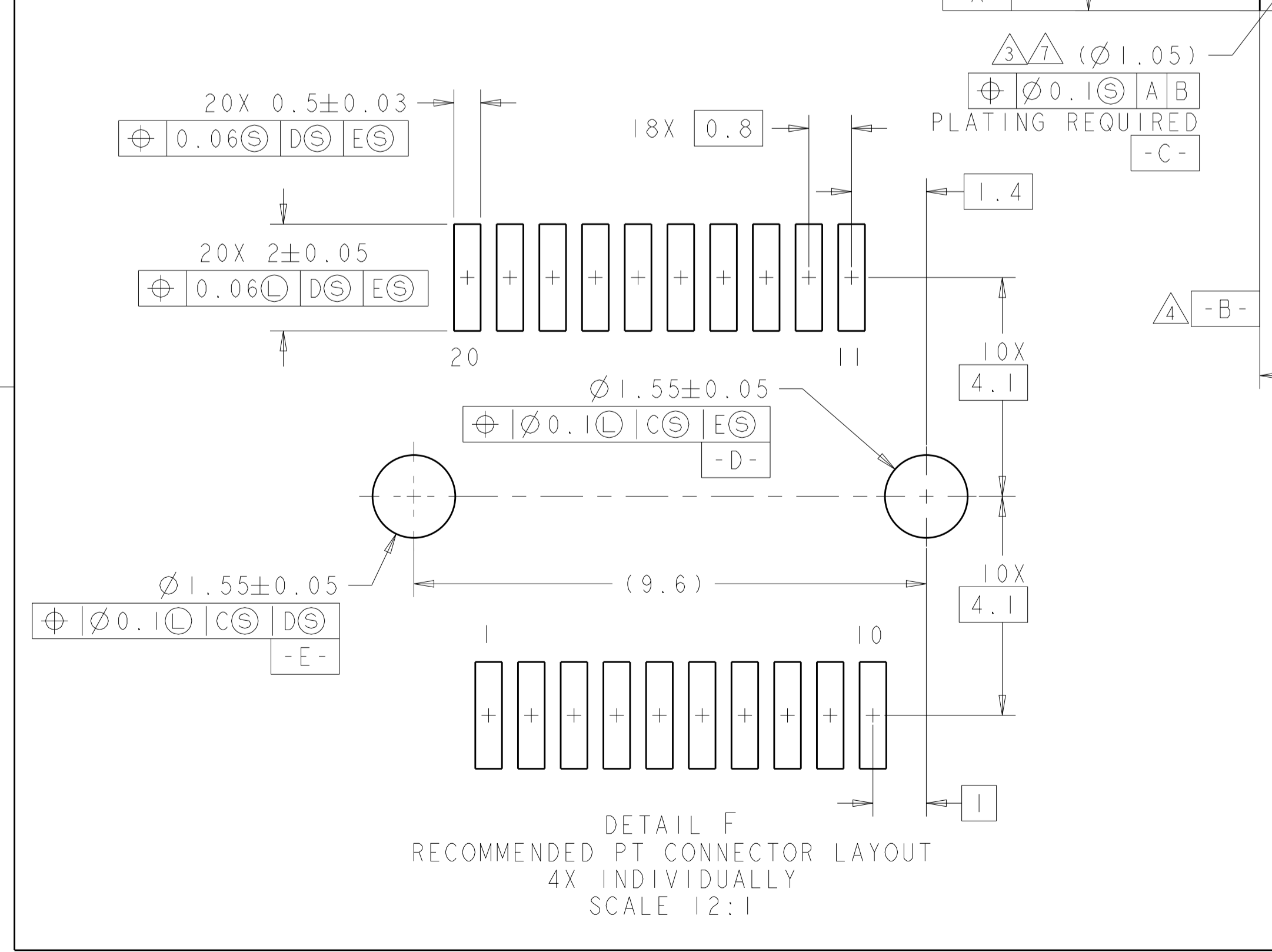
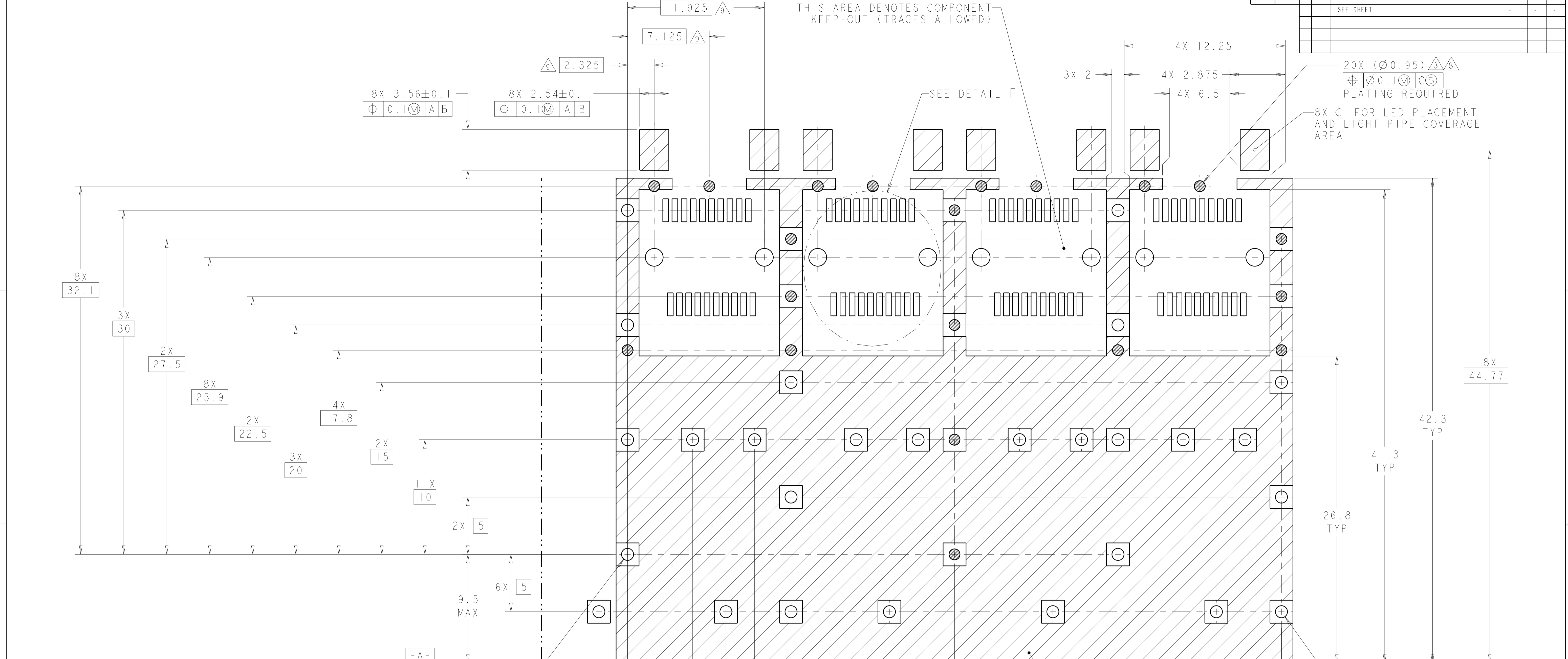


2110570-1
MOUNTED ON PC BOARD SHOWN
THRU RECOMMENDED BEZEL

| | | | |
|--|--|--|--|
| THIS DRAWING IS A CONTROLLED DOCUMENT. | | OWN: Z.M. BEAM 13APR2009 | TE Connectivity |
| DIMENSIONS: mm | | CHK: M.R. SCHMITT 13APR2009 | |
| TOLERANCES UNLESS OTHERWISE SPECIFIED: | | APPV: R.H. WERTZ 13APR2009 | |
| 0 PLC ±0.1 1 PLC ±0.1 2 PLC ±0.1 3 PLC ±0.1 4 PLC ±0.1 ANGLES ±1° | | PRODUCT SPEC: 108-2364 APPLICATION SPEC: 114-13120 WEIGHT: - Customer Drawing | |
| MATERIAL: - | | SIZE: A100779 | NAME: SFP+ 1X4 CAGE ASSEMBLY, PRESS FIT, EMI GASKET, W/ REDUCED LENGTH SQUARE LIGHT PIPES CAGE CODE: C=2110570 RESTRICTED TO: - SCALE: 5:1 SHEET 2 OF 3 REV D |

| LOC | DIST | REV | DATE | BY | APPV |
|-----|------|-----|------|----|------|
| GP | 00 | | | | |

| REVISIONS | | | | | |
|-----------|------|-------------|----|------|-----|
| NO. | DATE | DESCRIPTION | BY | APPV | REV |
| 1 | | SEE SHEET 1 | | | |



RECOMMENDED PCB CONFIGURATION WITH KEEP-OUT AREAS
SCALE 6:1

| | | | |
|--|--|------------------------------|---|
| THIS DRAWING IS A CONTROLLED DOCUMENT. | | OWN: Z. M. BEAM 13APR2009 | TE Connectivity |
| DIMENSIONS: mm | | CHK: M. R. SCHMITT 13APR2009 | |
| TOLERANCES UNLESS OTHERWISE SPECIFIED: | | APVD: B. H. WERTZ 13APR2009 | NAME: SFP+ 1X4 CAGE ASSEMBLY, PRESS FIT, EMI GASKET, W/ REDUCED LENGTH SQUARE LIGHT PIPES |
| 0 PLC ±0.1 | | PRODUCT SPEC: 108-2364 | SIZE: 114-13120 |
| 1 PLC ±0.1 | | APPLICATION SPEC: | WEIGHT: - |
| 2 PLC ±0.1 | | SIZE: 114-13120 | RESTRICTED TO: - |
| 3 PLC ±0.1 | | WEIGHT: - | SCALE: 1:1 |
| 4 PLC ±0.1 | | Customer Drawing | SHEET 3 OF 3 |
| ANGLES: ±1° | | A100779C=2110570 | REV D |