

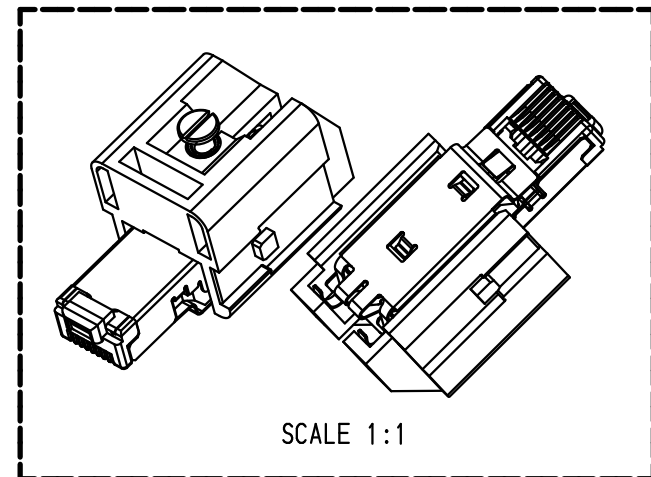
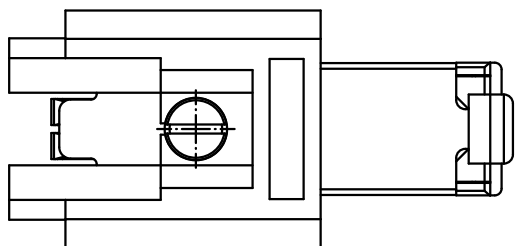
1 2 3 4 5 6

A

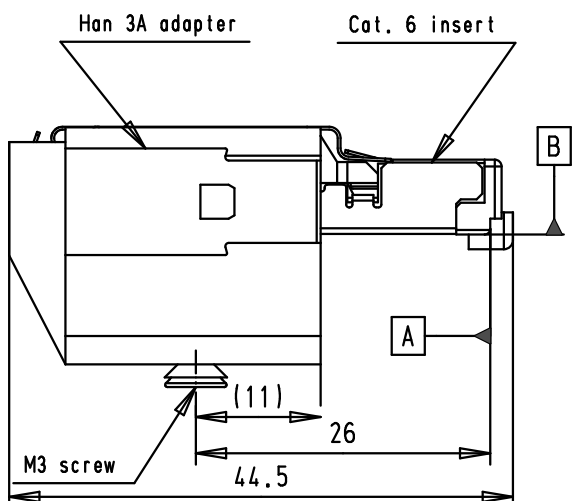
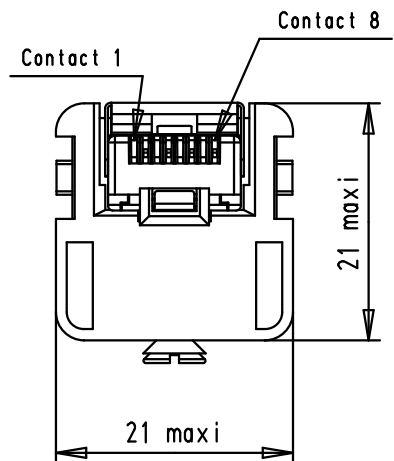
B

C

D

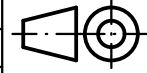



SCALE 1:1



- For solid and stranded conductors AWG 27 up to AWG 22
- Max. wire diameter 1.5mm
- Cat.6 performance class EA suitable for 1/10 Gigabit Ethernet
- Temperature range -40°C up to +70°C
- 750 mating cycles

Data contacts plating: Au 1,27µm (50µ") over Nickel

				Det.	Name	 <p>All Dim. in mm Orig. Size DIN A 4</p>	Han 3A RJ45 10G connector INSERT	Maßstab/ Scale 1,5:1
			Detail.	21/10/09	AB			
			Insp.					
			Stand.					
36080	21/10/09	AB	HARTING EURL F-95972 Paris				TB 09 45 100 1560	Blatt/ Page 1 / 1
Mod.	Det.	Name					Sub.	