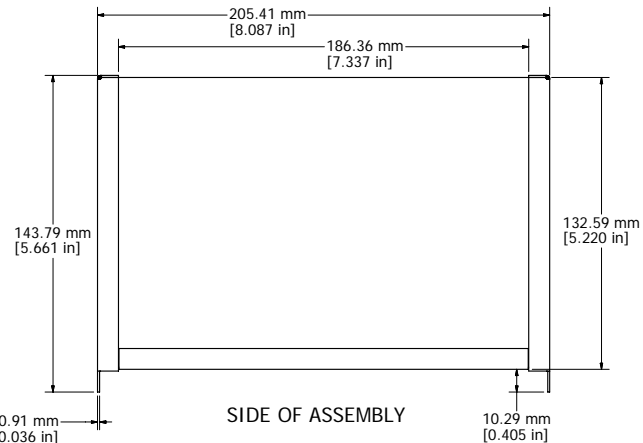
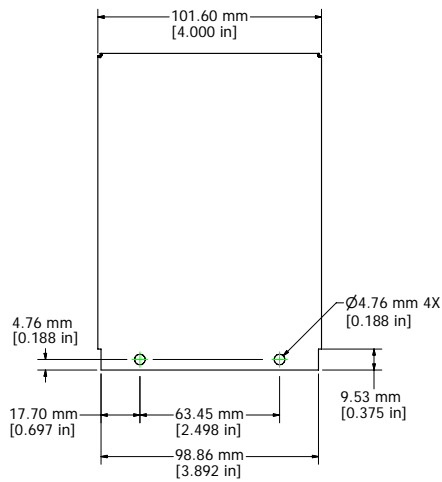


TOP OF ASSEMBLY

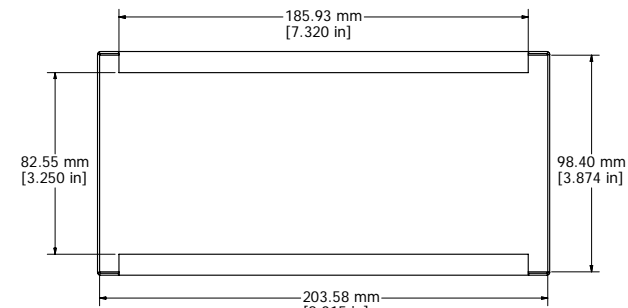


SIDE OF ASSEMBLY

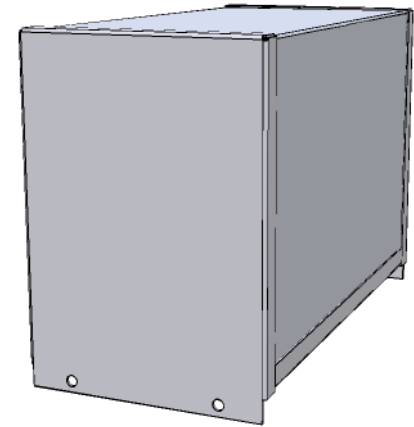
TYP. MATERIAL THICKNESS



END OF ASSEMBLY



BOTTOM OF ASSEMBLY



Note:

Enclosures can be Factory Modified ( Milling, Drilling, Printing etc. )  
 Contact Factory [mjm@hammondmfg.com](mailto:mjm@hammondmfg.com) for quotes  
 Solid models of this enclosure available in STEP or IGES Format.

<b>1451-10</b>
Material: 20ga. Welded Steel, Gray color
Cover: Perforated Steel
Screws: 4 Supplied (#6-32 X 1/4" self tap)
For use with 1441 and 1444 series chassis.



**HAMMOND  
 MANUFACTURING™**

**1451-10**

[www.hammondmfg.com](http://www.hammondmfg.com)