

Operating Temperature Range

-25° to 70° C , relative humidity of 85% or less

Materials

1. Insulator: POM, black
2. Shell: C3604 brass, 2 µm nickel plated
3. Spring contact: C5191 phosphor bronze, 2 µm nickel plated
4. Spring fork: C5191 phosphor bronze, 1 µ" gold plated
5. Spring fork: C5191 phosphor bronze, 2 µm nickel plated

Electrical Requirements

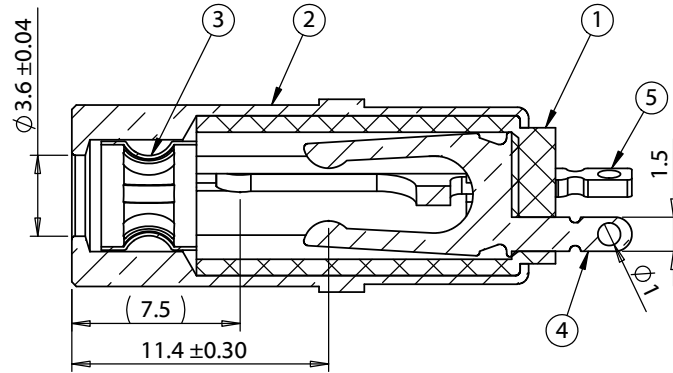
Dielectric strength: 1 min @ 500 Vac
 Insulation resistance: 100 MΩ @ 500 Vdc
 Contact resistance: 50 mΩ or less

Mechanical Requirements

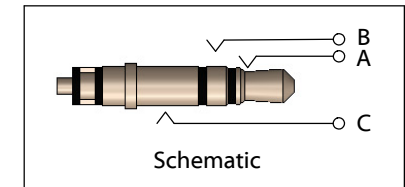
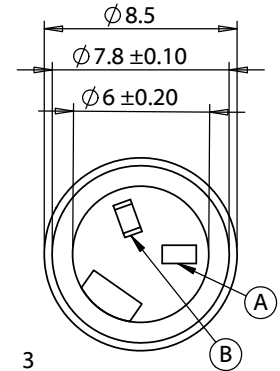
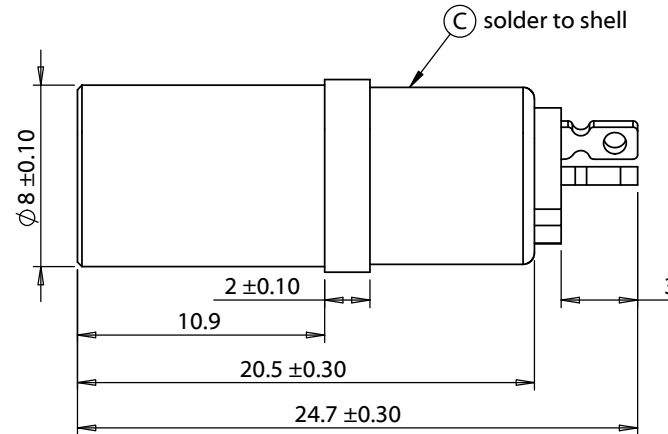
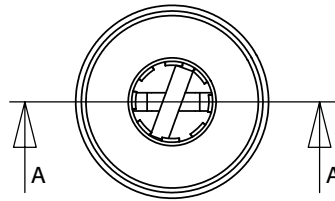
Insertion force: 0.4-4 kgf
 Withdrawal force: 0.4-4 kgf
 Life cycle: 5000 mating cycles while maintaining 0.3 kgf min. insertion force, 0.3 kgf min. withdrawal force and less than 60 mΩ contact resistance.

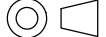
Environmental Requirements

Heat test: 70 °C, relative humidity 70-85% for 96 hours without deformation
 Humidity test: 40 °C, relative humidity 90-100% for 96 hours without deformation
 Salt spray test: 35±2 °C, relative humidity 90-95%, 5% NaCl mist for 24 hrs. Wash parts after test. Maintain mechanical requirements and a contact resistance of less than 100 mΩ.



SECTION A-A
SCALE 3 : 1



Revision:	Date:	Description:	Prepared:	Notes:	<h1>TENSILITY</h1> tel 1.541.323.3228 800 877.670.7118 fax 1.541.323.4202 web tensility.com
A	9/4/2009	Initial release	Verified:	RoHS and REACH compliant Function test: no open, no short circuit, no intermittent	
A1	6/6/2012	Updated drawing	Dimensions are in millimeters. Tolerances: X: ± 0.5 mm X.X: ± 0.3 mm X.XX: ± 0.05 mm	Description: Connector, stereo jack, 3.5x8.0xL24.7 mm, brass, nickel plated, molding style	Size: Part number: A 50-00039
					Scale: 5:1  Sheet 1 of 1