

- NOTE ① LEAD CO-PLANARITY OF SIGNAL CONTACT TO BE 0.1 IN THE -0.1 TO +0.05 RANGE FROM PCB MOUNTING SURFACE.
- ② ASSEMBLY TOOL MARKS INDICATED IN THE FIGURE WILL NOT AFFECT PERFORMANCE.
- ③ THIS PRODUCT SHALL BE MATED WITH A UNIT 'DH3+-17S' WHICH ASSEMBLED TO A COVER CASE 'DH-17-CV**'. AN ASSEMBLY OF THE UNIT NEEDS A CLAMP 'DH-17-CM+(***)'
- ④ AN ATTACHMENT TO THE PANEL NEEDS SCREWS SHOWN IN THE TABLE BELOW.

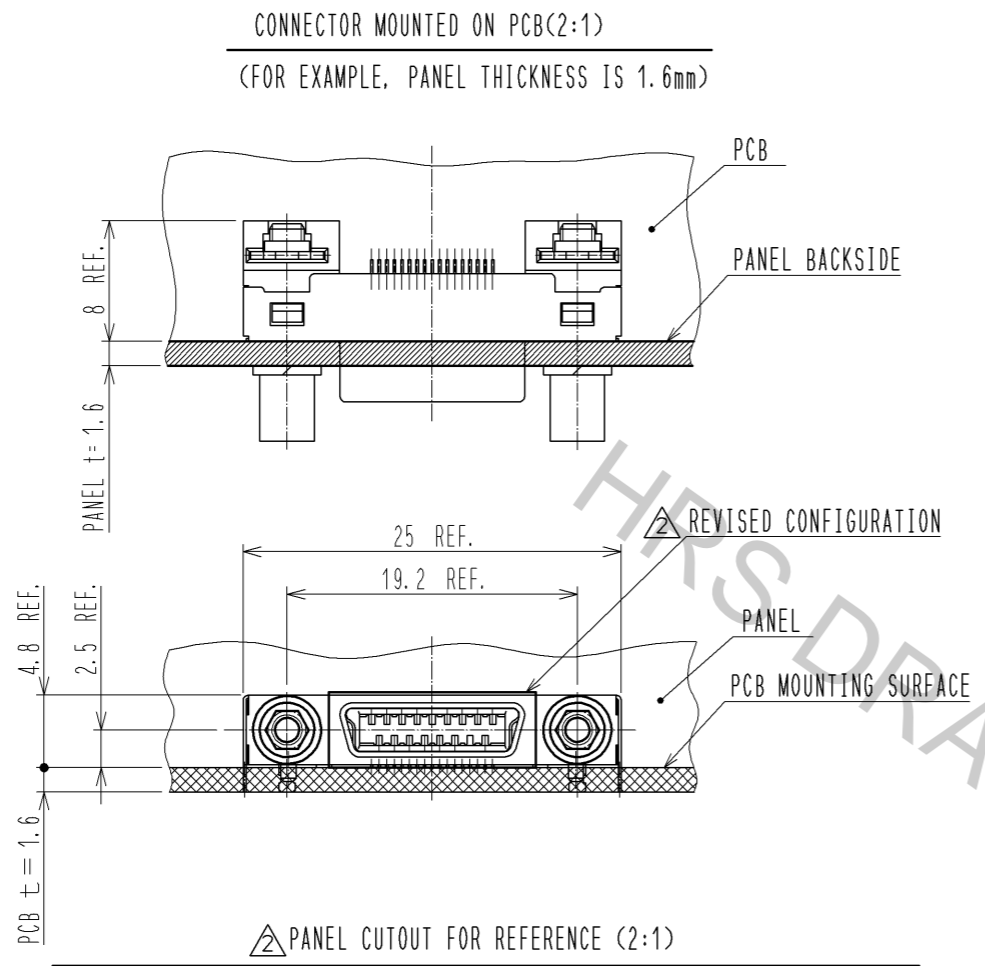
APPLICABLE PANEL THICKNESS(mm)	PART No.	CODE No.
1.4~1.6	DH-LNA	244-0045-0-00
0.9~1.2	DH-LNA-W4	244-0046-2-00
0.5~0.8	DH-LNA-W8	244-0004-2-00
NO PANEL	DH-LNA-W16	244-0005-5-00

※THE RECOMMENDED SCREW TIGHTENING TORQUE TO BE FROM 0.12 TO 0.3 N · m.

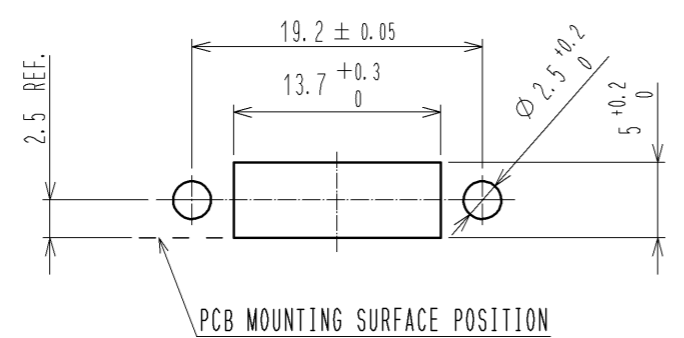
NO.	MATERIAL	FINISH . REMARKS	NO.	MATERIAL	FINISH . REMARKS
2	PHOSPHOR BRONZE	CONTACT AREA : GOLD 0.2μm MIN LEAD AREA : GOLD 0.03μm MIN UNDER PLATING : NICKEL 1μm MIN	5	STAINLESS STEEL	LEAD AREA : TIN 1μm MIN UNDER PLATING : NICKEL 1μm MIN
1			4	STAINLESS STEEL	OVER PLATING : TIN 1μm MIN UNDER PLATING : NICKEL 1μm MIN
			3	POLYAMIDE	BLACK, UL94V-0

UNITS	SCALE	COUNT	DESCRIPTION OF REVISIONS	DESIGNED	CHECKED	DATE
mm	4 : 1	1	DIS-E-004024	MT. ITANO	YH. ENAMI	11.11.18

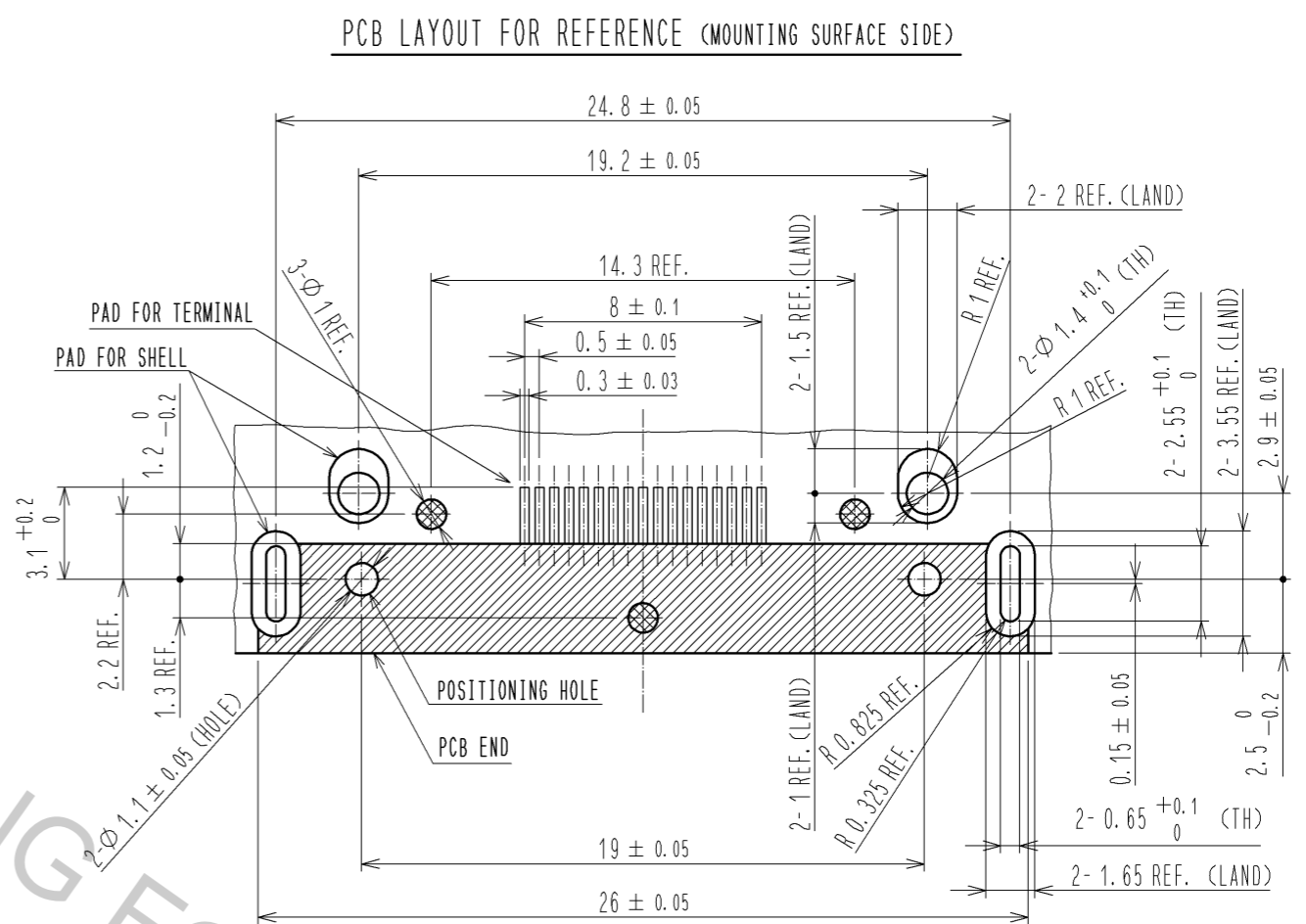
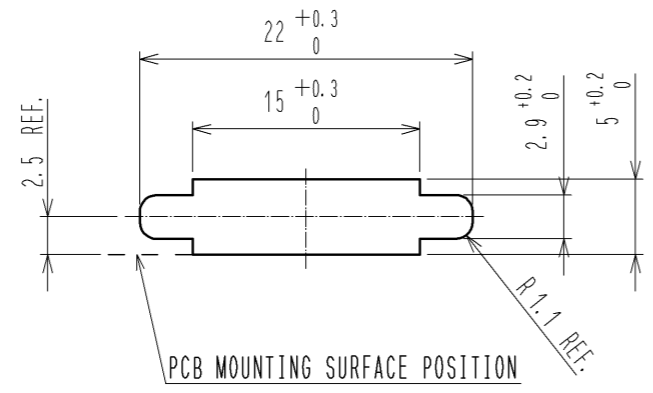
APPROVED	DATE	DRAWING NO.
A0. SUZUKI	09.04.09	EDC3-126583-00
CHECKED : MO. SHIMOYAMA	09.04.09	PART NO.
DESIGNED : TS. ITO	09.04.09	DH60-17P
DRAWN : TS. ITO	09.04.09	CODE NO.
		CL244-0006-8-00



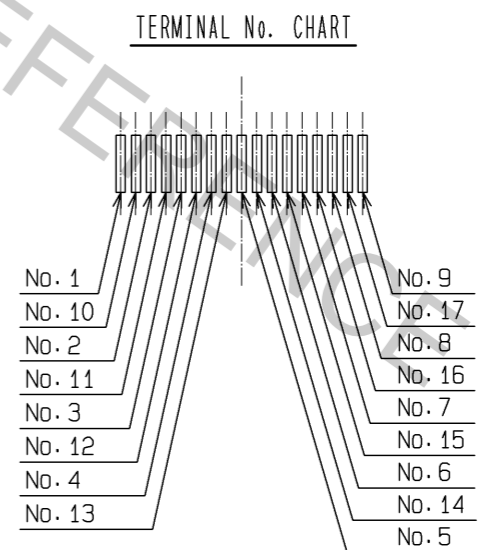
DH-LNA (CL244-0045-0-00) IS USED.



DH-LNA-W4 (CL244-0046-2-00)
DH-LNA-W8 (CL244-0004-2-00) IS USED.
△ DELETED

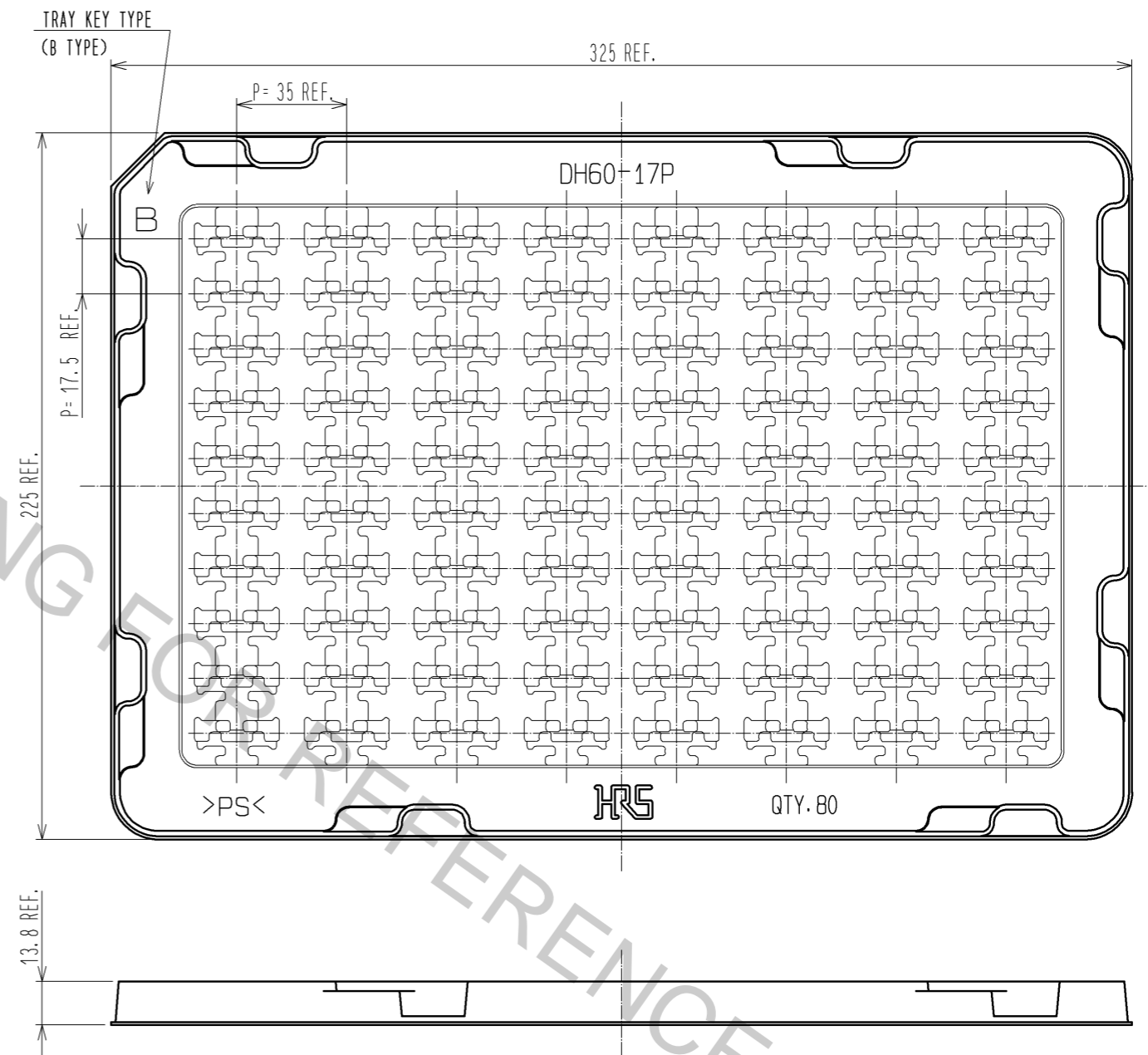
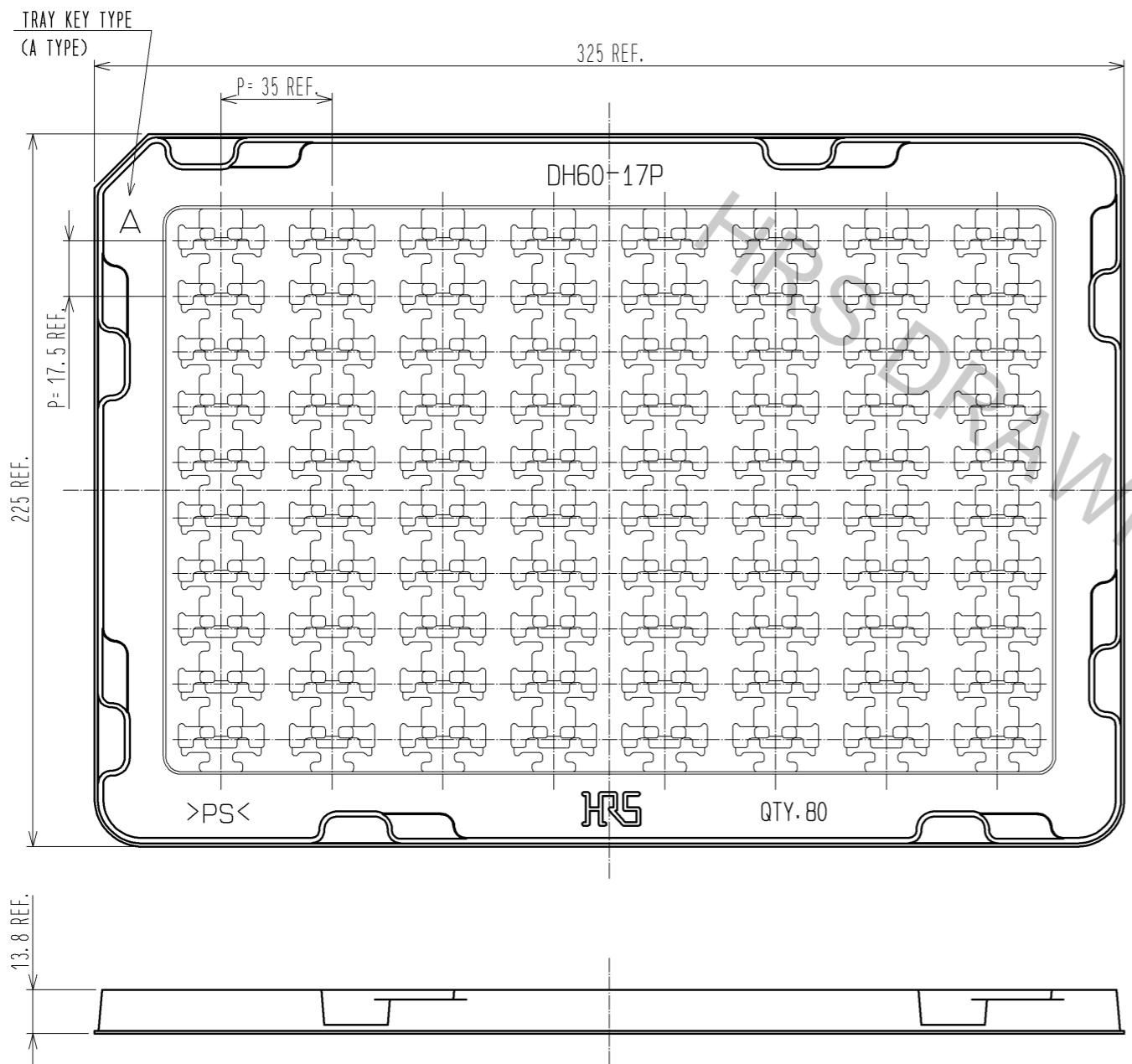


PATTERN PROHIBITION AREA
 REFERENCE PLANE POSITION

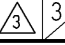


HRS	DRAWING NO.	EDC3-126583-00
	PART NO.	DH60-17P
	CODE NO.	CL244-0006-8-00
		△ 2/3

DRAWING FOR PACKING(1:2)



※TRAYS, A TYPE AND B TYPE, ARE PILED UP ALTERNATELY.

HRS	DRAWING NO.	EDC3-126583-00	 3/3
	PART NO.	DH60-17P	
	CODE NO.	CL244-0006-8-00	