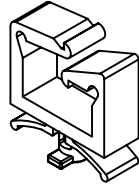
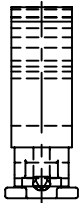
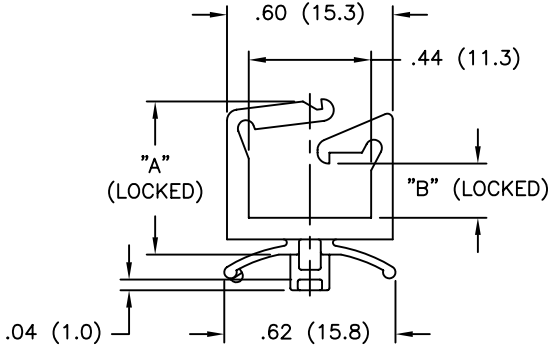
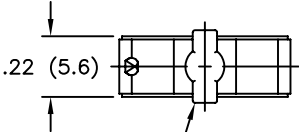
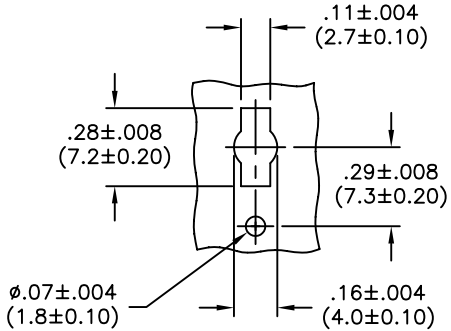


PART NO.	DIM. "A"	DIM. "B"
LWS-9-1	.51 (13.0)	.15 (3.8)
LWS-9-2	.71 (18.0)	.39 (9.8)
LWS-9-3	1.07 (27.2)	.75 (19.0)
LWS-9-4	1.38 (35.1)	1.06 (26.8)



MOUNTING HOLE DETAIL



PART TO FIT THE HOLE DETAIL
IN A .031-.063 (0.80-1.60)
PANEL THICK

NOTES:

1. MATERIAL: NYLON 6/6 (RMS-01), UL94 V-2
FLAME RETARDANT, NYLON (RMS-19), UL94 V-0,
AVAILABLE BY SPECIAL ORDER ONLY.
2. COLOR: NATURAL.
3. ALL DIMENSIONS ARE REFERENCE.

TITLE: LOCKING WIRE SADDLE, (QUARTER-TURN BASE)		DWG IN IN (MM) FINAL			
TOLERANCES UNLESS NOTED .XX=±.010 .XXX=±.005 FRAC=±1/64 ANG=±1°		FILE # LWS-9	DWN: SM	APP:	PART # SEE TABLE
RE: RICHCO, INC.	MAT'L: SEE NOTES	DT: 03/06/02	DT:	PRINT TYPE CA	
A	REDRAWN FROM RICHCO UK PRINT (REV."B")	SM 03.06.02	RICHCO INC. PO BOX 804238, CHICAGO, 60680 (773) 539-4060		
REV	DESCRIPTION	ENGR DATE			