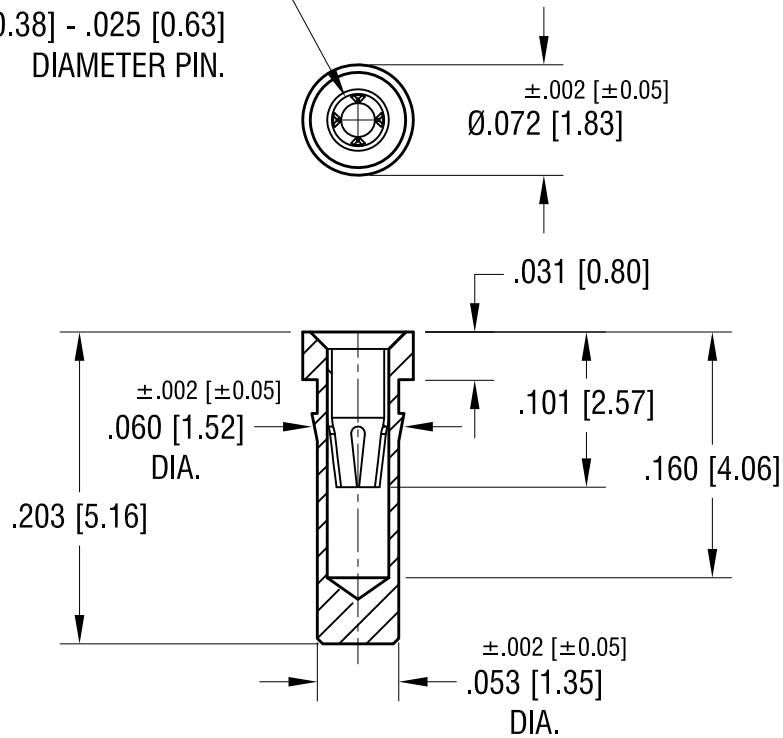


THIS DOCUMENT IS THE PROPERTY OF
KEYSTONE ELECTRONICS CORP. AND
SHALL NOT BE REPRODUCED, DISTRIBUTED
OR USED AS A BASIS FOR MANUFACTURE
WITHOUT PRIOR WRITTEN PERMISSION
FROM KEYSTONE ELECTRONICS CORP.

ACTUAL SIZE



4-FINGER CLOSED
ENTRY CONTACT FOR
.015 [0.38] - .025 [0.63]
DIAMETER PIN.



NOTES:

1. BODY: MAT'L - BRASS, TIN-LEAD PLATE
2. SPRING CONTACT: MAT'L - BERYLLIUM COPPER
GOLD PLATE
3. MOUNTING HOLE DIA.: .057 [1.45]

KEYSTONE ELECTRONICS CORP.

www.keyelco.com • ASTORIA, N.Y. 11105-2017 • Tel (718) 956-8900

PART NAME

IC SOCKET CONTACT - PRESS-FIT

MATERIAL

AS NOTED

FINISH

AS NOTED

DRN BY

NT

DATE

3.11.08

APP'D

LN

SCALE

8X

TOLERANCES

INCH [MM]

DECIMAL $\pm .005$ [± 0.13]

ANGULAR $\pm 1^\circ$

UNLESS OTHERWISE SPECIFIED

CODE

C

DWG NO.

3509

DATE	DESCRIPTION	REV.