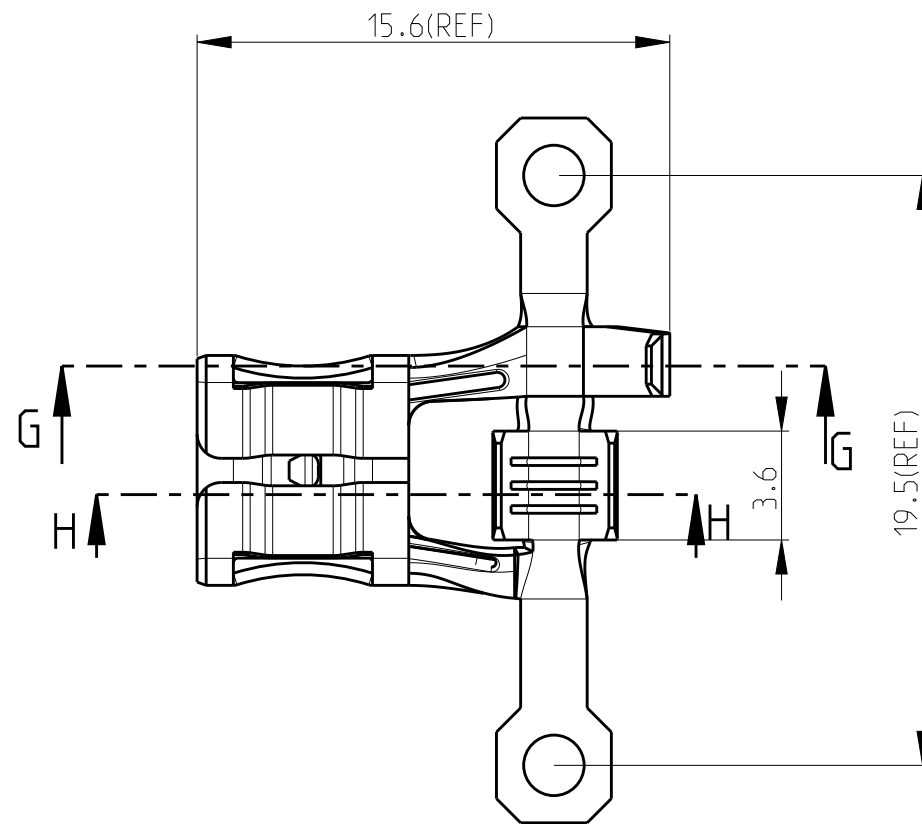
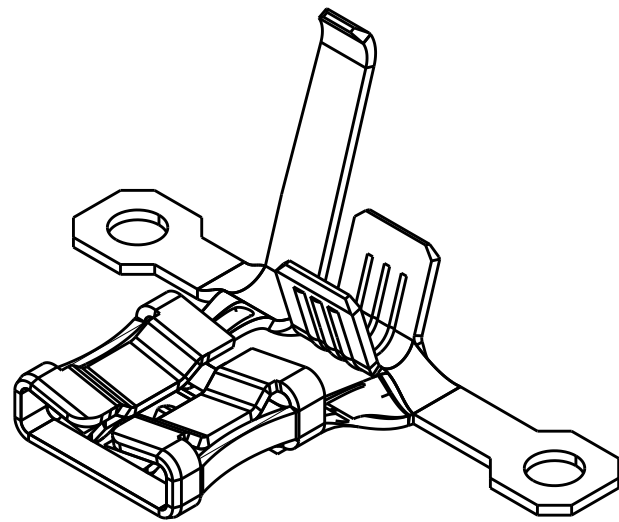


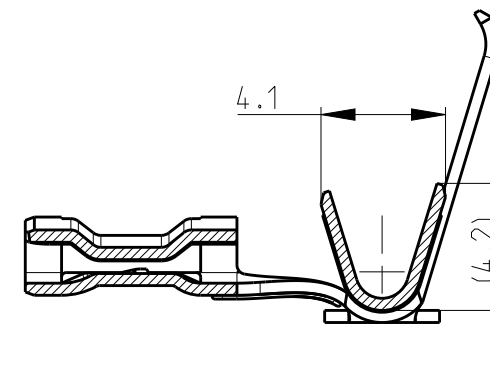
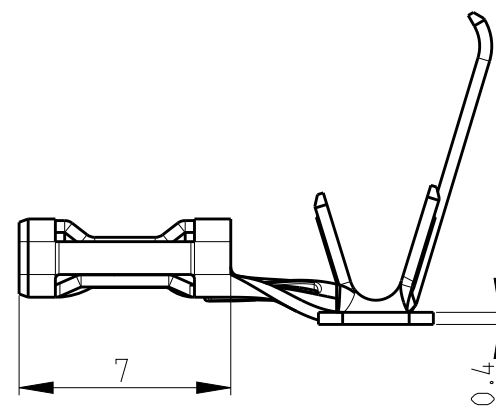
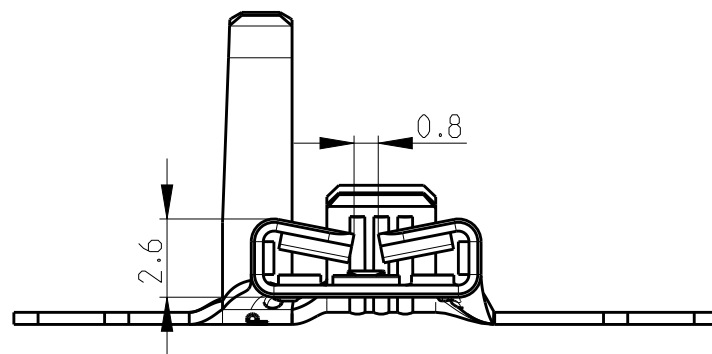
THIS DRAWING IS UNPUBLISHED. RELEASED FOR PUBLICATION 20  
 © COPYRIGHT 20 BY TYCO ELECTRONICS CORPORATION ALL RIGHTS RESERVED.

| LOC | DIST | REVISIONS |     |                           |           |     |      |
|-----|------|-----------|-----|---------------------------|-----------|-----|------|
|     |      | P         | LTR | DESCRIPTION               | DATE      | DWN | APVD |
| -   | -    |           | A   | RELEASE PER ECR-14-018864 | 24DEC2014 | DL  | TD   |
|     |      |           | A1  | RELEASE PER ECR-15-004911 | 31MAR2015 | DL  | TD   |
|     |      |           | A2  | RELEASE PER ECR-15-013713 | 21SEP2015 | DL  | TD   |

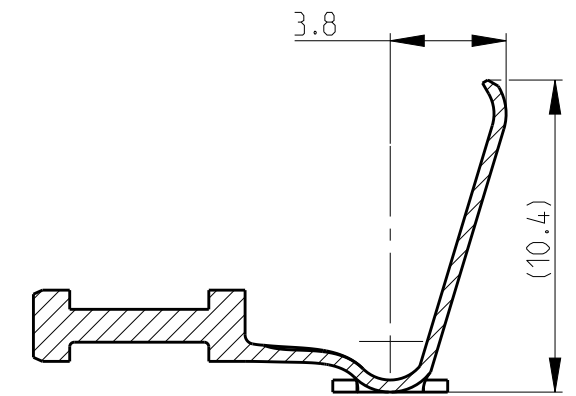


NOTE:

1. CONTINUOUS STRIP ON REELS
2. MATING TAB ACCORDING TO UL310 AND IEC61210 NORM. (WIDTH\*THICKNESS IS 6.3\*0.8 mm)
3. WIRE SIZE IS #16-#12 AWG(1.5-3.3 sqmm)
4. INSULATION RANGE IS Ø2.7-3.8mm
5. CUT-OFF LENGTH IS 0.5mm MAX.



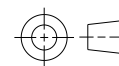
SECTION H-H



SECTION G-G

THIS DRAWING IS A CONTROLLED DOCUMENT.

DIMENSIONS:  
mm



TOLERANCES UNLESS OTHERWISE SPECIFIED:

|        |           |
|--------|-----------|
| 0 PLC  | ±0.5      |
| 1 PLC  | ±0.5      |
| 2 PLC  | ±0.25     |
| 3 PLC  | ±         |
| 4 PLC  | ±         |
| ANGLES | ±1°       |
| FINISH | SEE TABLE |

MATERIAL SEE TABLE

|                  |            |           |
|------------------|------------|-----------|
| DWN              | VIBHUTHI   | 29NOV2012 |
| CHK              | SUBHASH M  | 29NOV2012 |
| APVD             | SURESH T N | 29NOV2012 |
| PRODUCT SPEC     | 108-64027  |           |
| APPLICATION SPEC | 114-64027  |           |
| WEIGHT           | -          |           |



NAME  
6.3 SRS FLAG F-SPRING LIF RECEPTACLE

|      |           |            |               |
|------|-----------|------------|---------------|
| SIZE | CAGE CODE | DRAWING NO | RESTRICTED TO |
| A3   | 00779     | ©=2178439  | -             |

|            |          |           |
|------------|----------|-----------|
| Pre-NICKEL | Steel    | 2178439-1 |
| FINISH     | MATERIAL | PART NO.  |

Customer Drawing SCALE 4:1 SHEET 1 OF 1 REV A2