

THIS DRAWING IS UNPUBLISHED.

RELEASED FOR PUBLICATION

,19

© COPYRIGHT 19

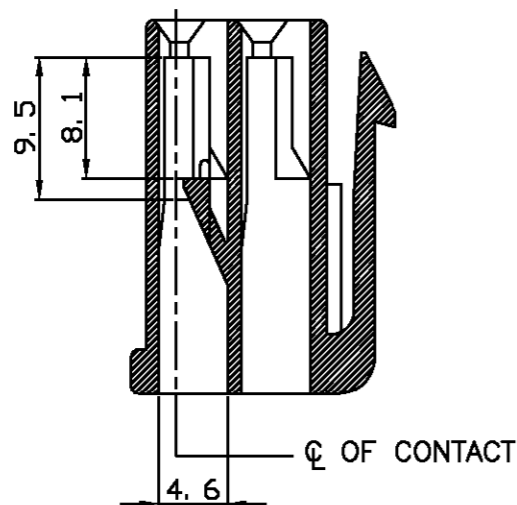
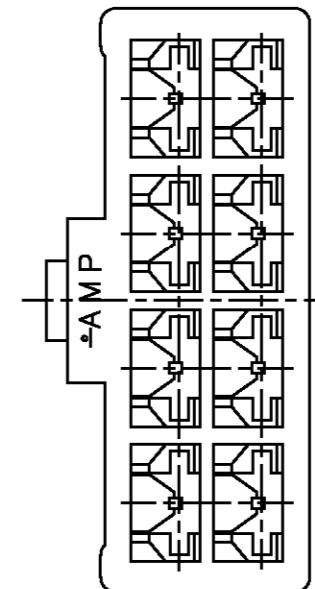
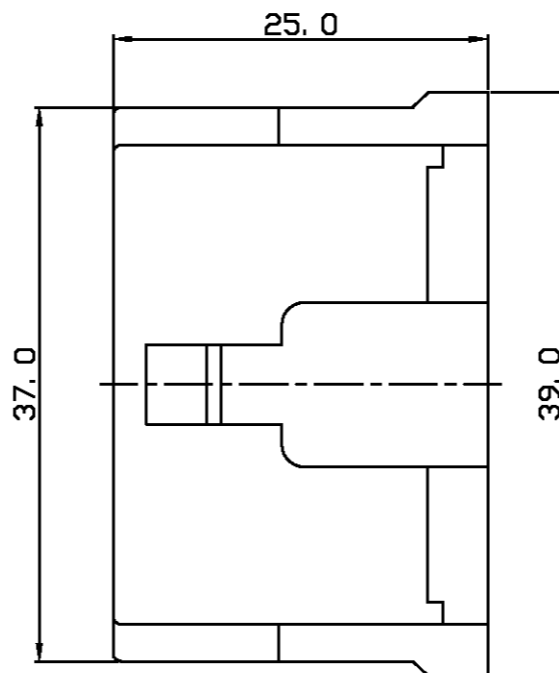
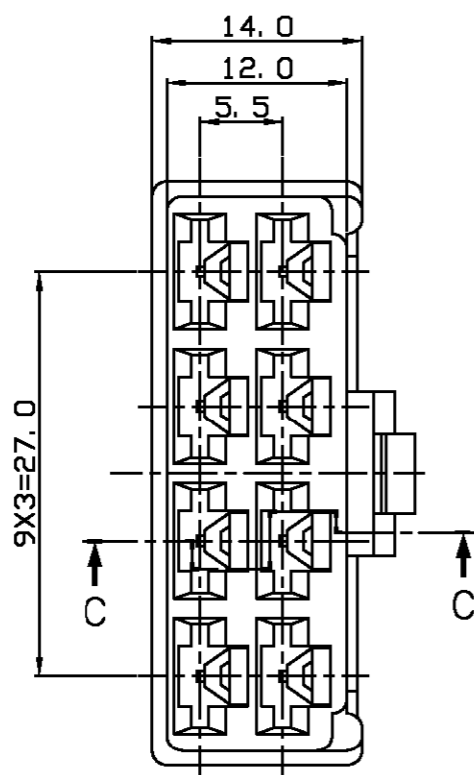
BY AMP INCORPORATED. ALL RIGHTS RESERVED.

LDC DS

DIST

REVISIONS

P	LTR	DESCRIPTION	DATE	DWN	APVD
	O	RELEASED(RD96-316)	'96 2/OCT	YJ	CS
	A	REVISED(FC00-0013-01)	15/FEB/'01	MS	CS



SECT C-C

NOTE

1. APPLICABLE REC TML: 170384-2, 170032-5, 170258-8

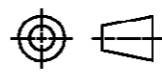
①	PART NO	MATERIAL	COLOR
	85136-2	PA 66	BLUE
	85136-1	PA 66	NATURAL

THIS DRAWING IS A CONTROLLED DOCUMENT FOR AMP INCORPORATED. IT IS SUBJECT TO CHANGE AND THE CONTROLLING ENGINEERING ORGANIZATION SHOULD BE CONTACTED FOR THE LATEST REVISION.

DIMENSIONS: MM

TOLERANCES UNLESS OTHERWISE SPECIFIED:

- 0 <XX<10 ± 0.2
- 10<XX<30 ± 0.25
- 30<XX ± 0.3
- ANGLES ± 3°



3rd ANGLE PROJECTION

MATERIAL SEE TABLE

FINISH SEE TABLE

DWN
CHK
APVD
PRODUCT SPEC
APPLICATION SPEC
WEIGHT

AMP AMP KOREA.
kyungsan, korea

NAME: 250 8P PLUG HSG

SIZE: A3	CAGE CODE: 00779	DRAWING NO: 85136
----------	------------------	-------------------

SCALE 1/1 SHEET 1 OF 1 REV A