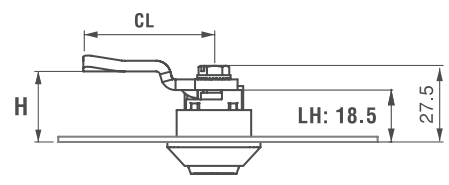
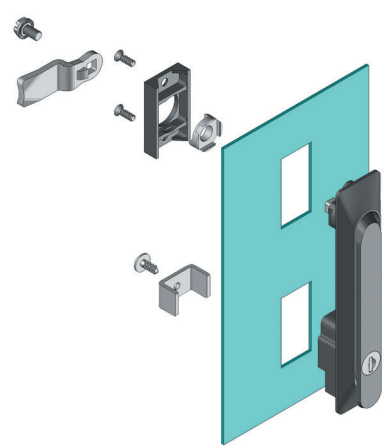
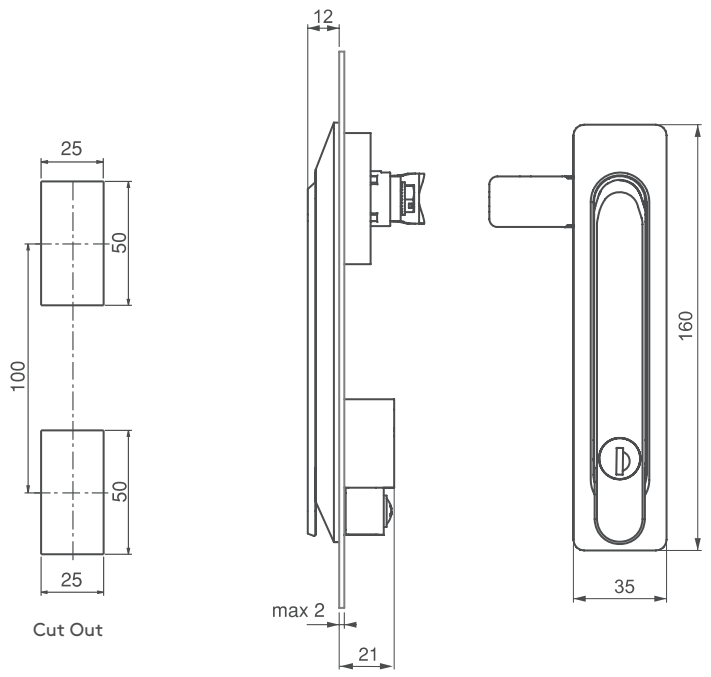
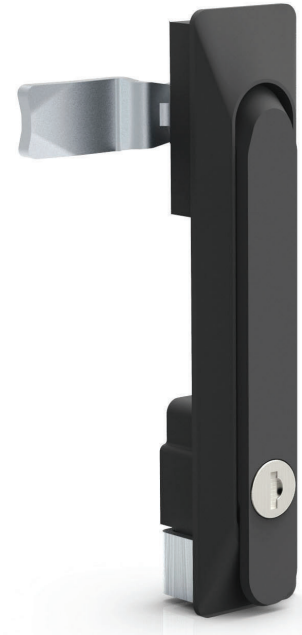




208 SWINGHANDLE

- IP 65
-
- LH/RH
-
- RoHS

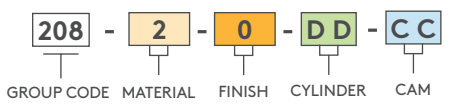


- Can be used for indoor applications
- Offers an economical solution

APPLICATIONS
Electric panels, machinery covers, rack cabinets

MATERIAL
 BODY: Polyamide DIN-EN ISO 1043-1 PA6 GFR 30
 HANDLE: Polyamide DIN-EN ISO 1043-1 PA6 GFR 30
 CAM: Steel - PA6 GFR 30
 SEAL: Polyurethane

PRODUCT CODE



CYLINDER	SPECIFICATIONS	DD
	Stainless steel dust cap (Keyed alike)	03
	Stainless steel dust cap (Keyed differ)	32
	Master system	04
	Euro key (5333)	05
	CH751 (Stainless steel dust cap)	07

For cams please check pages: 144 - 145
 For rods please check pages: 150- 161