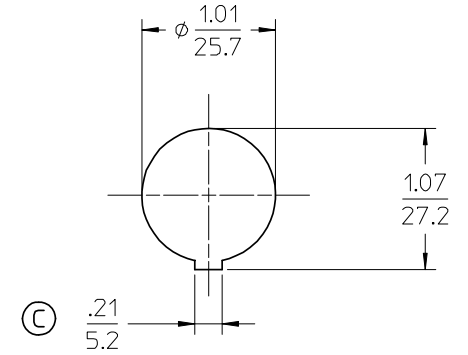
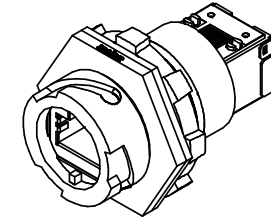
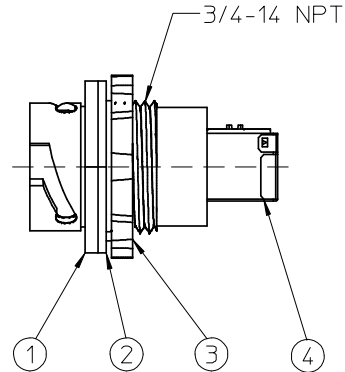
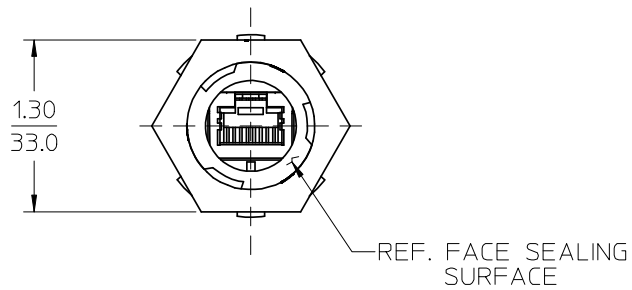
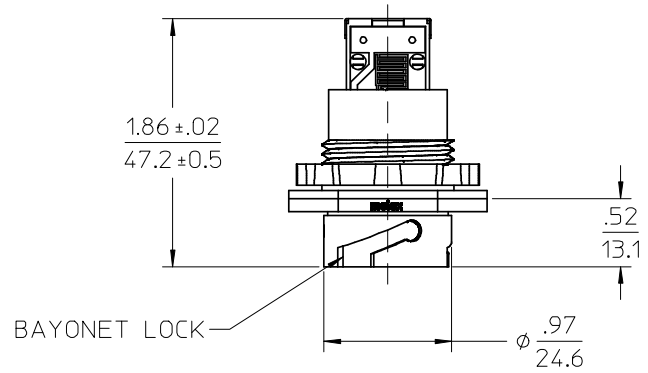


- Ⓒ NOTES:
 1. MATERIAL: SEE TABLE
 2. FINISHES: SEE TABLE
 3. PRODUCT SPECIFICATION: PPS.84.003
 4. PCB ASSEMBLY PUSHOUT : 20 LBS. MIN.
 5. COMPONENTS ARE RoHS COMPLIANT OR COMPLIANT BY EXCEPTION



REF. PANEL MOUNT THRU HOLE

ITEM	QTY.	DESCRIPTION	MATERIAL	FINISH
4	1	PCB, RJ-45, DUAL RECEPTACLE	PCB,MOD,JACK	
3	1	LOCK-NUT	STEEL	ZINC PLATED
2	1	PANEL GASKET	NEOPRENE	BLACK
1	1	RECEPTACLE HOUSING	PBT	BLACK

REV'D & REDRAWN
 EC NO: ETC2007-0100
 2006/10/02
 DRAWN:RSTONE
 2006/10/02
 CHKD:J MACNEIL
 2006/10/02
 APPR:JMACNEIL
 2006/10/02

QUALITY SYMBOLS
 ▽=0
 ▽=0

GENERAL TOLERANCES (UNLESS SPECIFIED)

	mm	INCH
4 PLACES	±---	±---
3 PLACES	±---	±---
2 PLACES	±---	±.01
1 PLACE	±0.25	±---

ANGULAR ±1/2°

DRAFT WHERE APPLICABLE MUST REMAIN WITHIN DIMENSIONS

DIMENSION STYLE
 IN/MM

DRAWN BY
 R. STONE

DATE
 2002/05/14

CHECKED BY
 S. GILBERT

DATE
 2002/11/11

APPROVED BY
 P. WALTZ

DATE
 2002/11/12

MATERIAL NO.
 847000001

SIZE
 B

SCALE
 1:1

DESIGN UNITS
 INCH

THIRD ANGLE PROJECTION

TITLE
 RECEPTACLE, RJ-45
 PCB, PANEL MOUNT
 INDUSTRIAL ETHERNET

MOLEX INCORPORATED

DOCUMENT NO.
 SD-84700-007

SHEET NO.
 1 OF 1

THIS DRAWING CONTAINS INFORMATION THAT IS PROPRIETARY TO MOLEX INCORPORATED AND SHOULD NOT BE USED WITHOUT WRITTEN PERMISSION