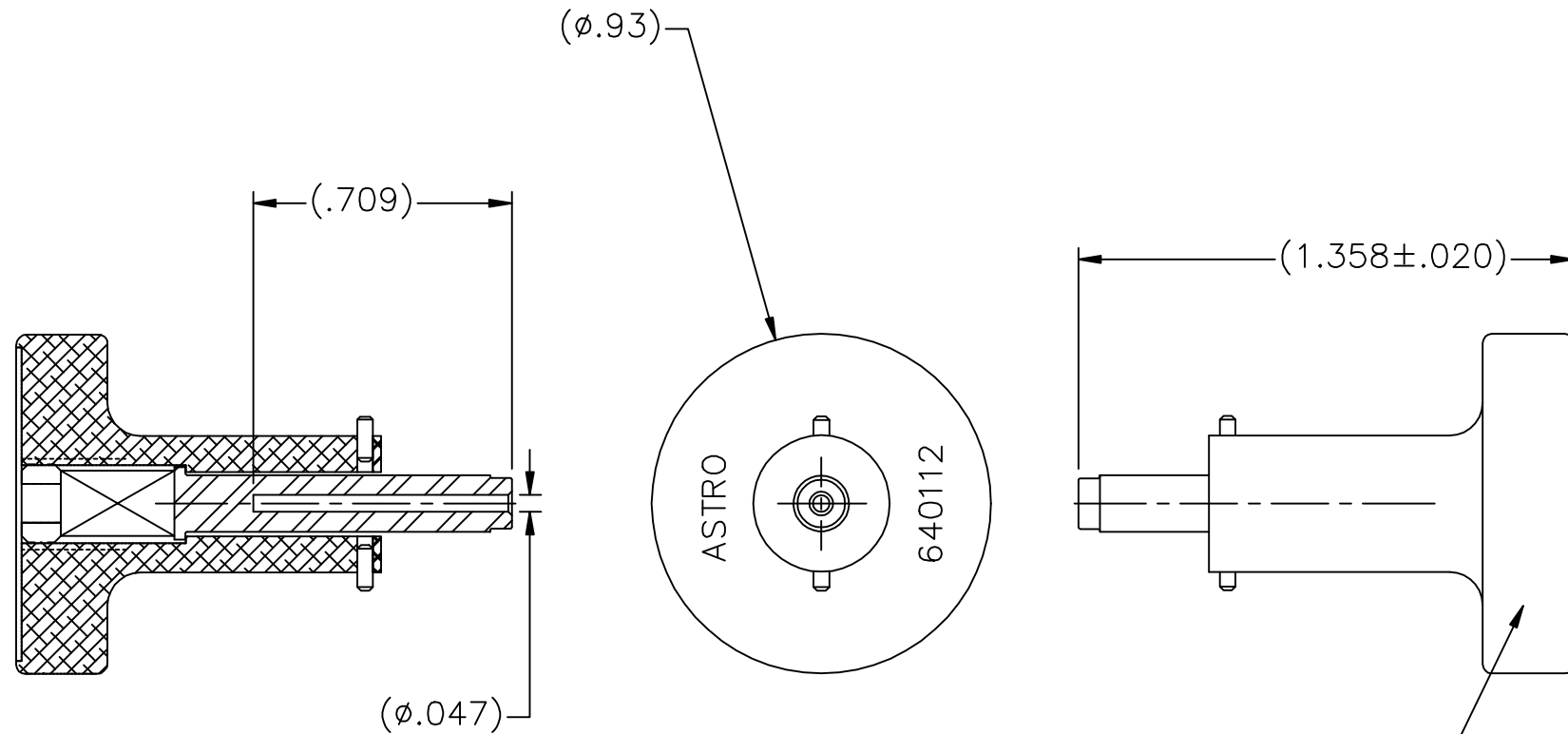
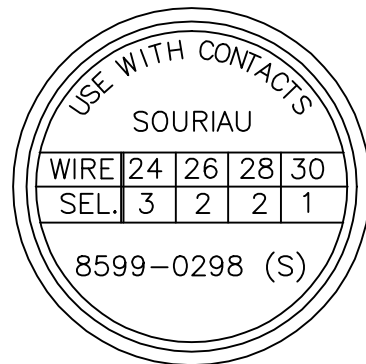


**UNCONTROLLED DOCUMENT
WILL NOT BE UPDATED**



COLOR: BLUE

1. THIS IS AN AUTOCAD DRAWING, DO NOT CHANGE MANUALLY
NOTES:

					THESE DRAWINGS, SPECIFICATIONS OR OTHER DATA ARE AND REMAIN THE PROPERTY OF ASTRO TOOL CORP. AND MUST BE RETURNED UPON REQUEST. THEY CONTAIN INFORMATION OWNED AND/OR DEVELOPED BY ASTRO AT ITS OWN PRIVATE EXPENSE AND MAY NOT BE USED, DUPLICATED OR DISCLOSED TO OTHERS, IN WHOLE OR IN PART FOR DESIGN, MANUFACTURE OR PROCUREMENT WITHOUT THE WRITTEN PERMISSION OF ASTRO TOOL CORP. EACH AND EVERY TIME.	SCALE: 2-1	UNLESS OTHERWISE SPECIFIED: DECIMALS: .XXX ± .005 .XX ± .010 .X ± .030 ANGLES: ± 1°	21615 S.W. TUALATIN VALLEY HWY., BEAVERTON OR 97006 CAGE 58164
A	NEW RELEASE	DYO	12-18-13	MMK		DWN BY: DYO DATE: 12-18-13 APPROVED:		
REV.	DESCRIPTION	BY	DATE	APR.				PART NO. B 640112-ENV