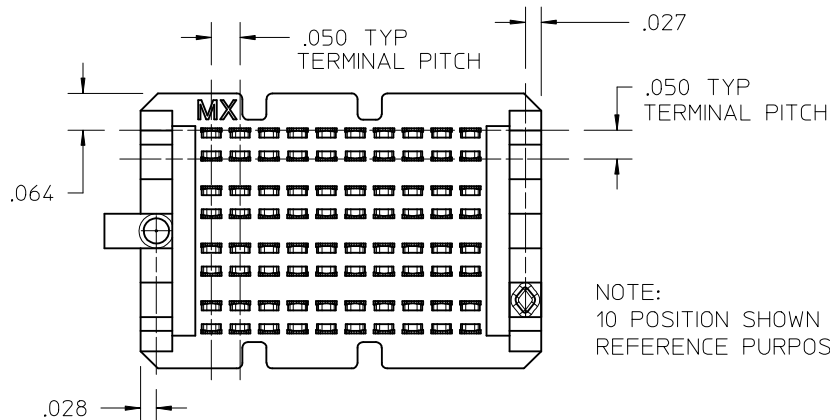
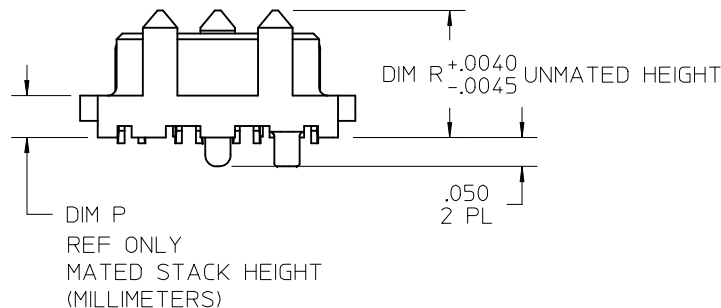
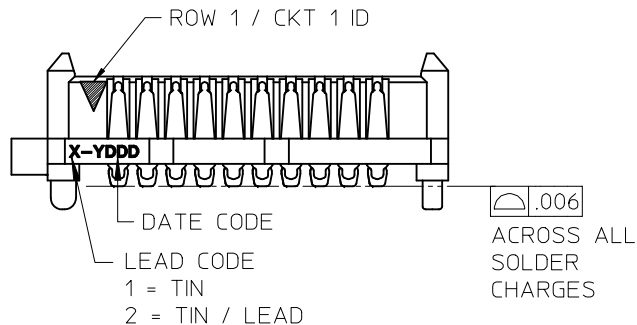


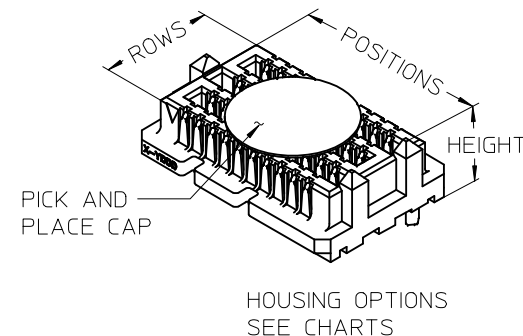
NOTES:

- MATERIAL: HOUSING: LCP, UL94V-0, BLACK
CONTACTS: COPPER ALLOY
SOLDER CHARGE: TIN, 95.5/ Ag 3.8/ Cu 0.7
- FINISH: SELECT GOLD IN CONTACT AREA: 30 MICROINCHES MINIMUM
SELECT GOLD FLASH IN TAIL, 7 MICROINCHES MINIMUM OVER NICKEL
- PRODUCT SPECIFICATION: PS-45970-001
- PACKAGING SPECIFICATION: TAPE AND REEL PACK. REFERENCE RPK-45971-009
- MATES WITH SEARAY RECEPTACLE ASSY 45971
- APPLICATION SPECIFICATION: AS-45970-001
- COSMETIC SPECIFICATION: PS-45499-002 CLASS B
- PART STATUS: CONTACT MOLEX



NO OF ROWS	8
POSITIONS	40
DIM C	.478
DIM E	.175
DIM G	2.196
DIM P	2.0 MM
DIM R	.221

NOTE:
10 POSITION SHOWN FOR
REFERENCE PURPOSES ONLY.

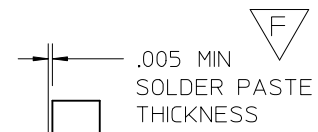
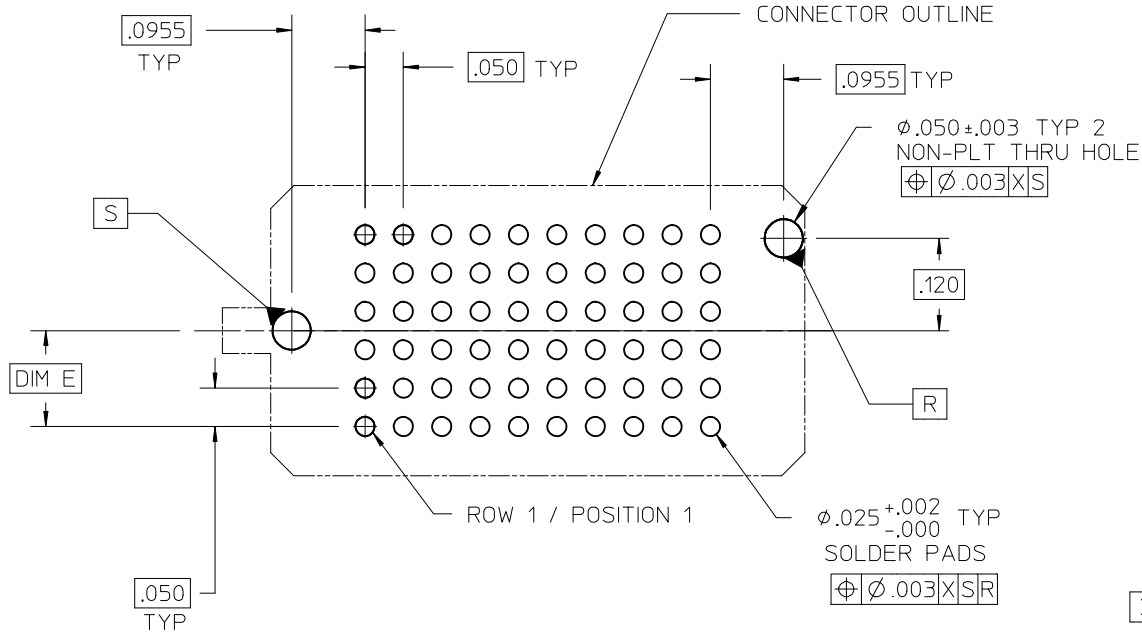


REV. NOTE 4 TO REF. RPK-45970-009 EC NO: UCP2015-3314 DRWN:SVANGO1 2015/08/12 CHKD:BBARKER 2015/08/12 APPR:SMILLER 2015/08/14	QUALITY SYMBOLS	GENERAL TOLERANCES (UNLESS SPECIFIED)	DIMENSION STYLE	SCALE	DESIGN UNITS	THIRD ANGLE PROJECTION
	DESCRIPTION	mm	INCH ONLY	3:1	INCH	
	REV	4 PLACES ± ---	DRAWN BY	TITLE		
	B	3 PLACES ± ---	DATE	SEARAY PLUG ASSEMBLY .050 CENTERS		

1 PLACE ± ---	DATE	MATERIAL NO. 45970-4130	DOCUMENT NO. RSD-45970-4130	SHEET NO. 1 OF 2
0 PLACE ±	DATE			
ANGULAR ± ---°		THIS DRAWING CONTAINS INFORMATION THAT IS PROPRIETARY TO MOLEX INCORPORATED AND SHOULD NOT BE USED WITHOUT WRITTEN PERMISSION		
DRAFT WHERE APPLICABLE MUST REMAIN WITHIN DIMENSIONS				

CHECKED BY	DATE
BBARKER	2014/04/18
APPROVED BY	DATE
SMILLER	2014/05/22

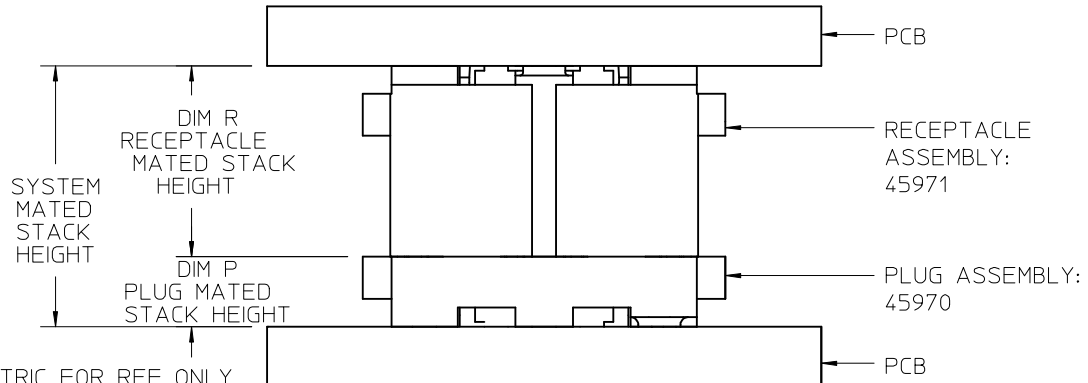
DRAWN BY		DATE		TITLE	
RWHIPPLE		2014/04/18		SEARAY PLUG ASSEMBLY .050 CENTERS	
CHECKED BY		DATE		molex	
BBARKER		2014/04/18			
APPROVED BY		DATE			
SMILLER		2014/05/22			
MATERIAL NO.		DOCUMENT NO.		SHEET NO.	
45970-4130		RSD-45970-4130		1 OF 2	
THIS DRAWING CONTAINS INFORMATION THAT IS PROPRIETARY TO MOLEX INCORPORATED AND SHOULD NOT BE USED WITHOUT WRITTEN PERMISSION					



RECOMMENDED PCB LAYOUT: COMPONENT SIDE
 SOLDER SCREEN APERTURE SIZE: .035
 PCB THICKNESS: NA

		DIM R RECEPTACLE STACK HEIGHT					
		MM	5.0	6.0	6.5	7.5	8.0
DIM P PLUG STACK HEIGHT	2.0	7.0	8.0	8.5	9.5	10.0	

MATED STACK HEIGHTS
(MILLIMETERS) REF



STACK HEIGHTS GIVEN IN METRIC FOR REF ONLY

SEE SHEET 1	EC NO: UCP2015-3314	2015/08/12	QUALITY SYMBOLS
	DRWN: SVANG01	2015/08/12	
	CHK'D: BBARKER	2015/08/14	
	APPR: SMILLER	2015/08/14	
REV	DESCRIPTION		

GENERAL TOLERANCES (UNLESS SPECIFIED)	
	mm
4 PLACES	± .005
3 PLACES	± .010
2 PLACES	± .015
1 PLACE	± .020
0 PLACE	± .030
ANGULAR ± .005°	
DRAFT WHERE APPLICABLE MUST REMAIN WITHIN DIMENSIONS	

DIMENSION STYLE INCH ONLY	
DRAWN BY	DATE
RWHIPPLE	2014/04/18
CHECKED BY	DATE
BBARKER	2014/04/18
APPROVED BY	DATE
SMILLER	2014/05/22
MATERIAL NO.	
SEE SHEET 1	

SCALE	DESIGN UNITS	THIRD ANGLE PROJECTION
4:1	INCH	
SEARAY PLUG ASSEMBLY .050 CENTERS		
molex		
DOCUMENT NO.	SHEET NO.	
RSD-45970-4130	2 OF 2	