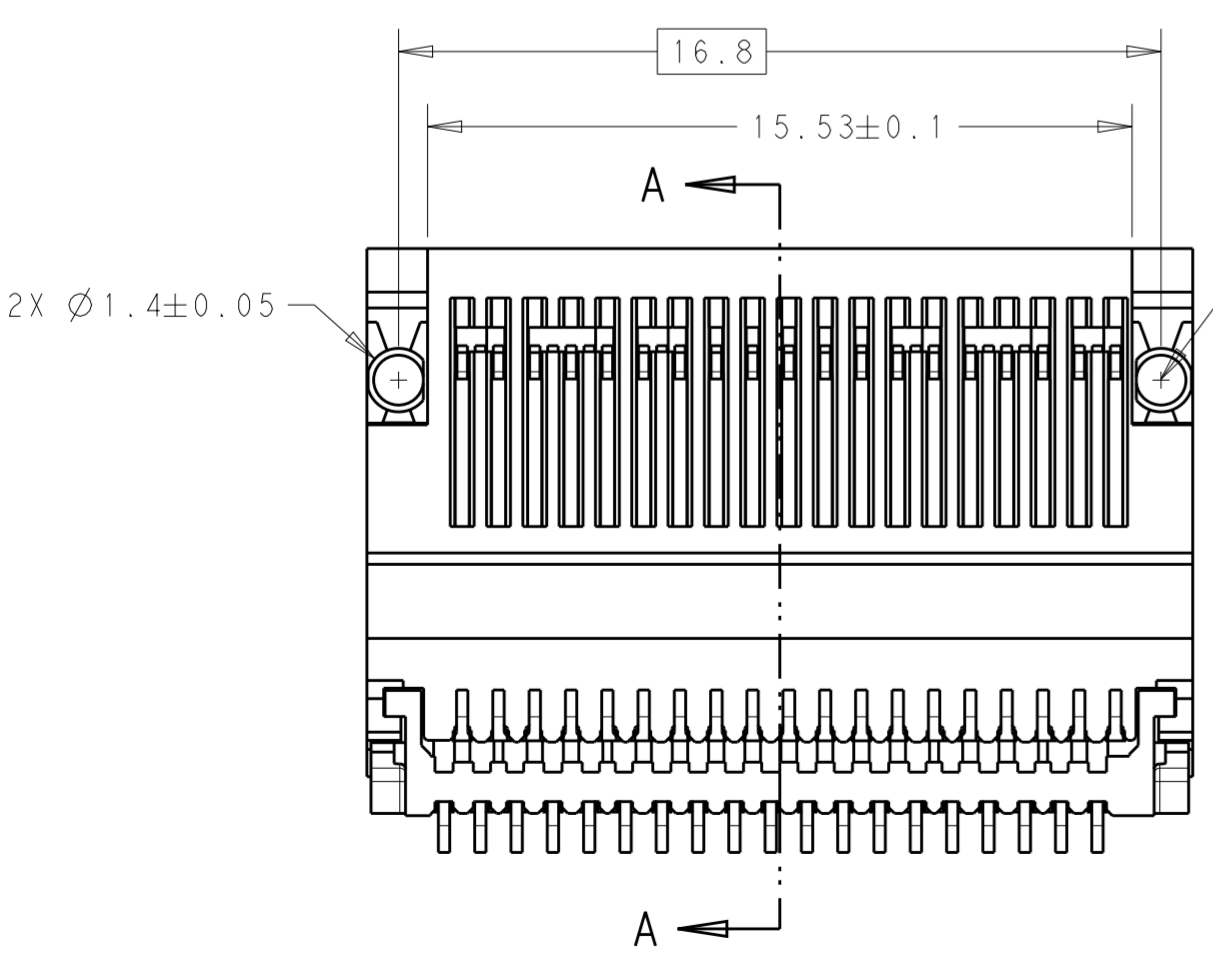
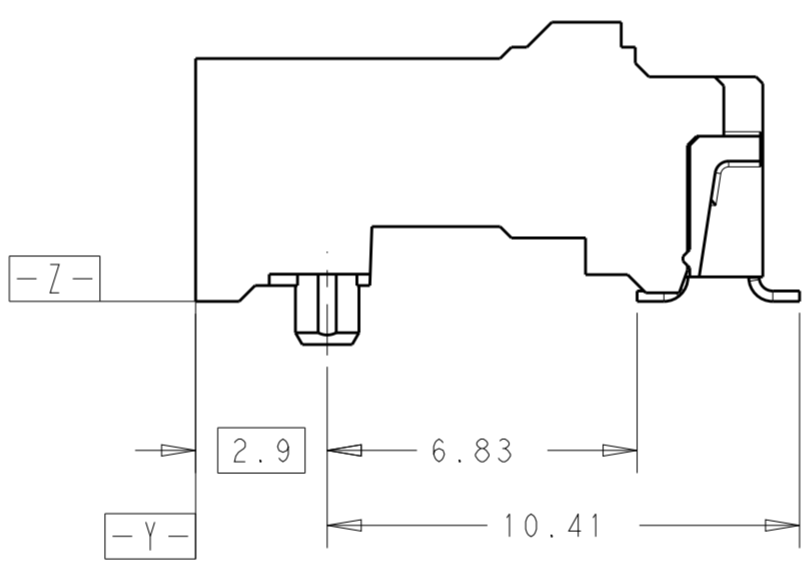
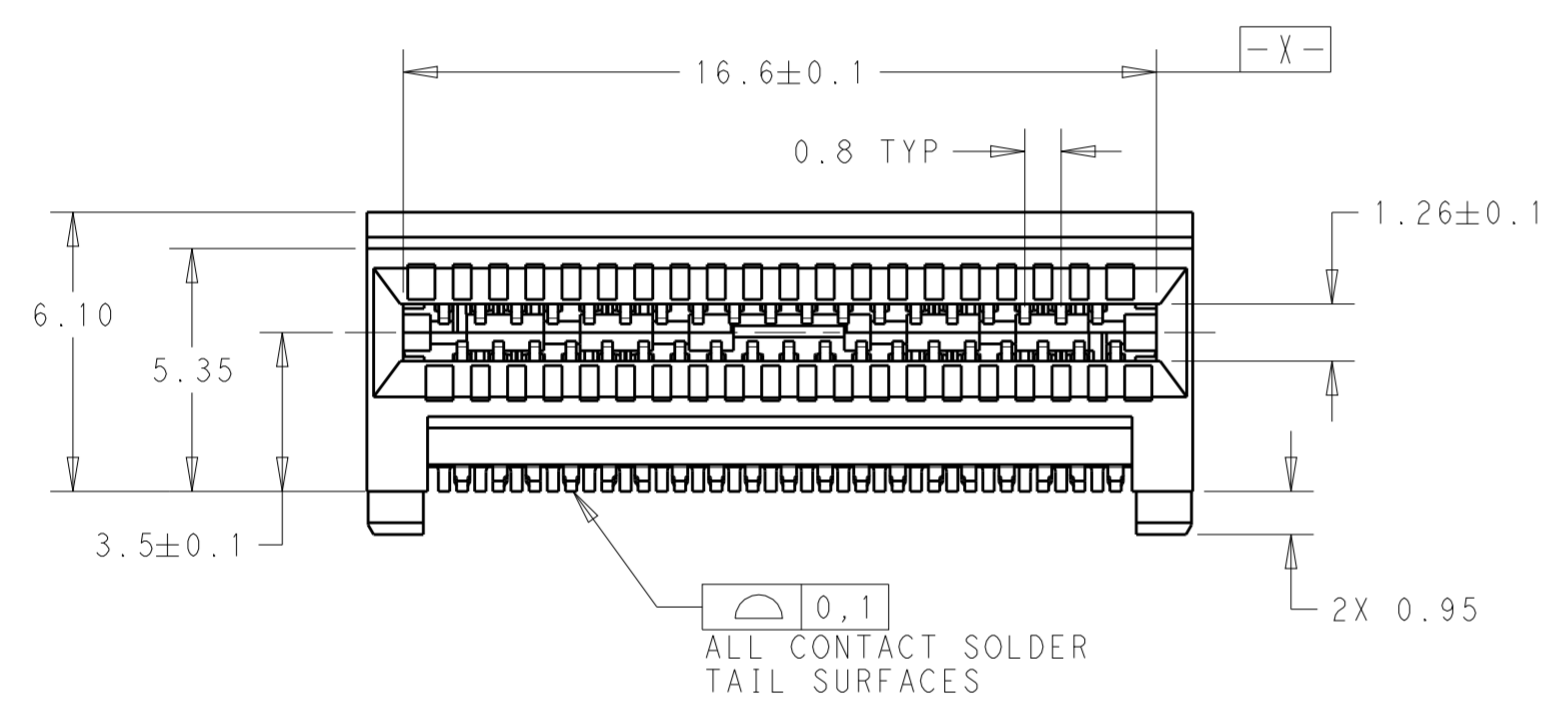
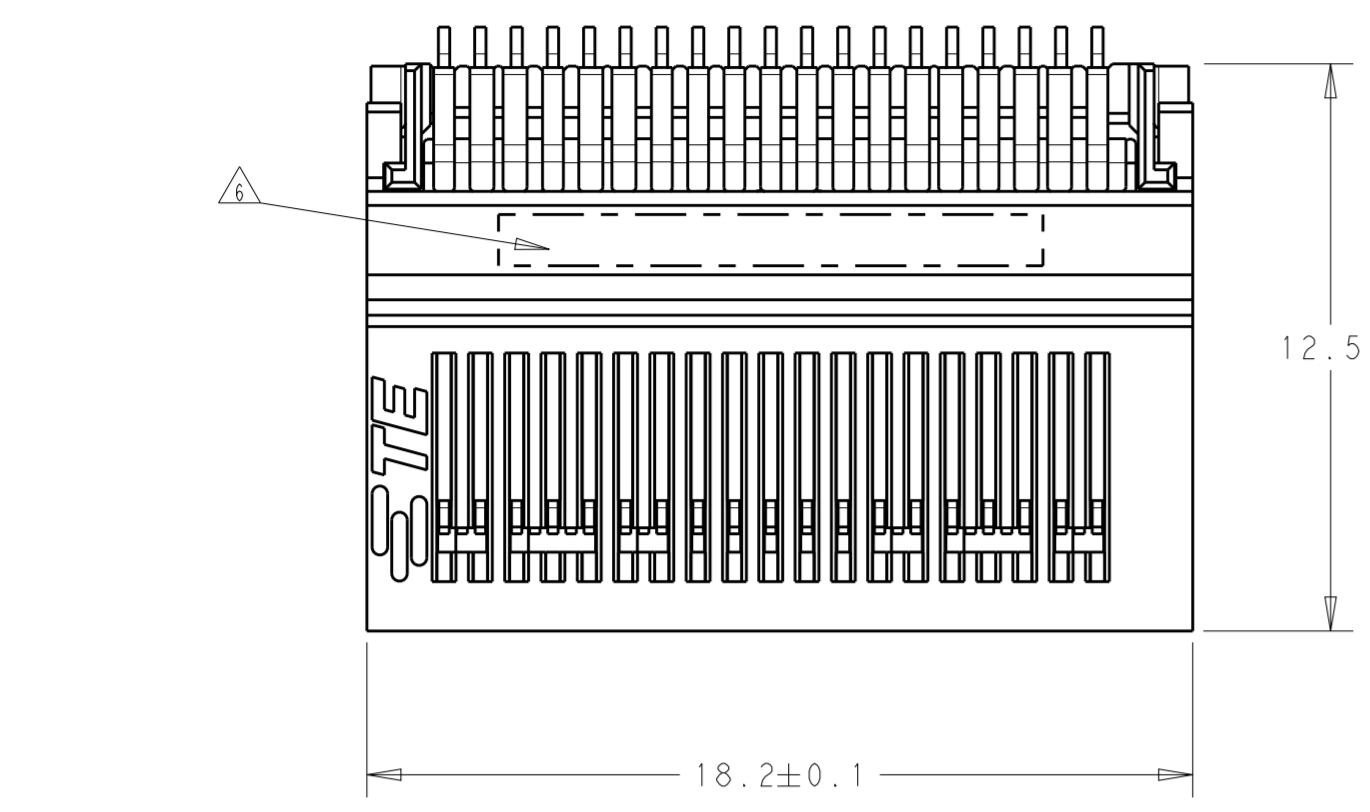


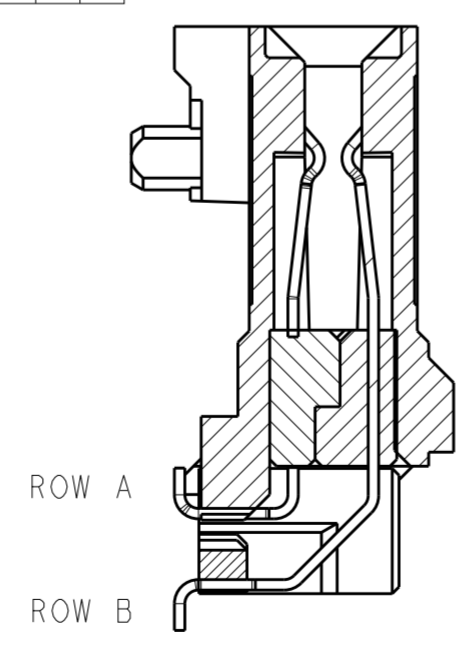
THIS DRAWING IS UNPUBLISHED. RELEASED FOR PUBLICATION
 © COPYRIGHT - BY - ALL RIGHTS RESERVED.

LOC	DIST	REVISIONS					
GP	00	P	LTR	DESCRIPTION	DATE	DWN	APVD
		A		RELEASED PER ECR-12-000117	04JAN2012	JvdH	TdB
		B		REVISED PER ECO-13-000082	18JAN2013	CJV	EDB

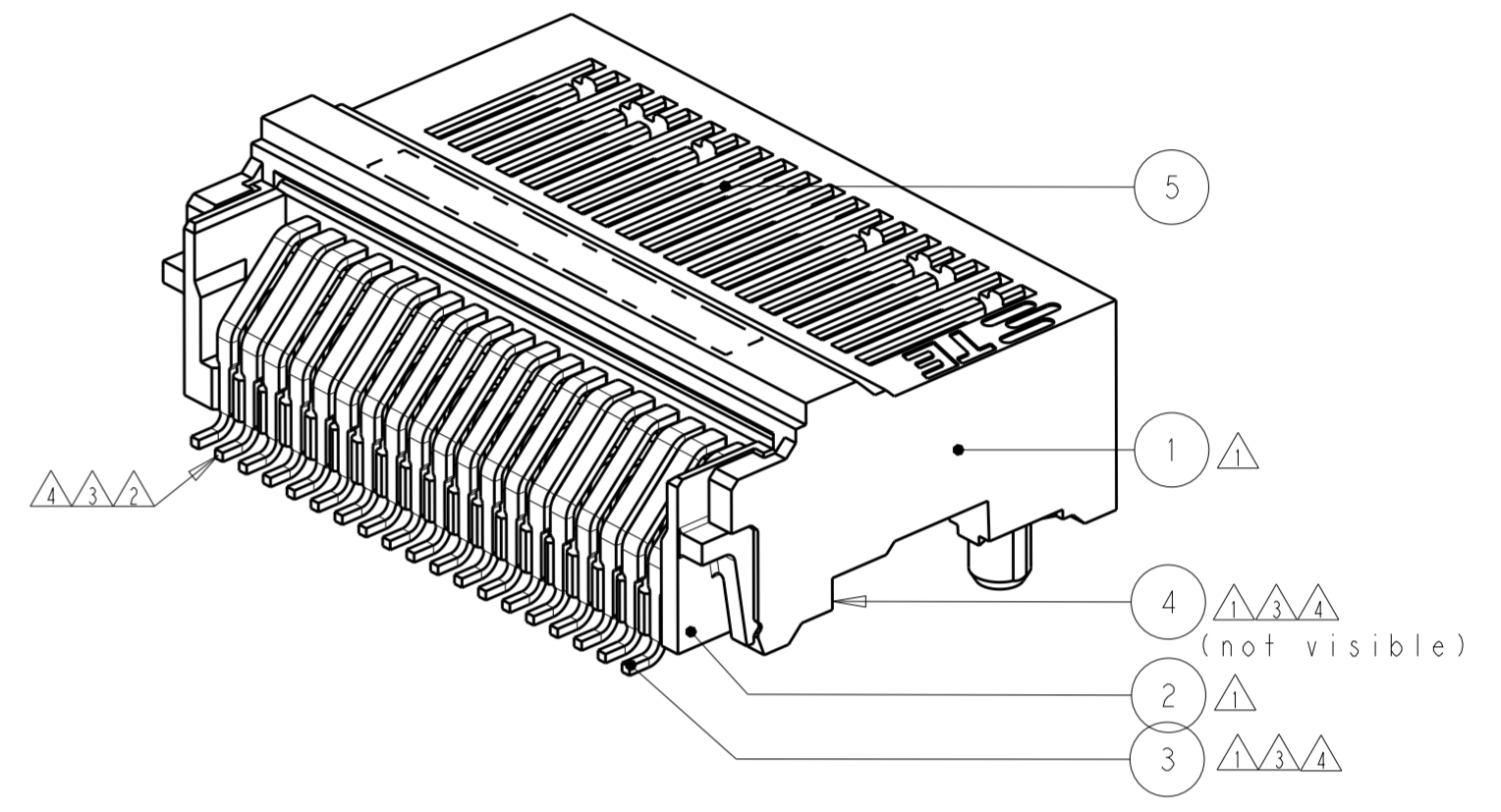
- △ MATERIAL: GLASS FILLED LCP (BLACK) FOR HOUSING, ORGANISER AND CONTACT-OVERMOLDS.
- △ MATERIAL: COPPER ALLOY FOR CONTACTS.
- △ FINISH: 0,38µm MIN. GOLD, APPLIES TO INTERFACE AREA AND 3,0 µm MIN. TIN ON SOLDER TAILS, BOTH OVER 1,27 µm MIN. NICKEL ALL OVER.
- △ FINISH: 0,76µm MIN. GOLD, APPLIES TO INTERFACE AREA AND 3,0 µm MIN. TIN ON SOLDER TAILS, BOTH OVER 1,27 µm MIN. NICKEL ALL OVER.
- △ DATUM AND BASIC DIMENSION ESTABLISHED BY CUSTOMER.
- △ CONNECTOR MARKED WITH PARTNUMBER AND DATE CODE.



⊕ Ø0,10(M) Z X Y 2PLC



SECTION A-A

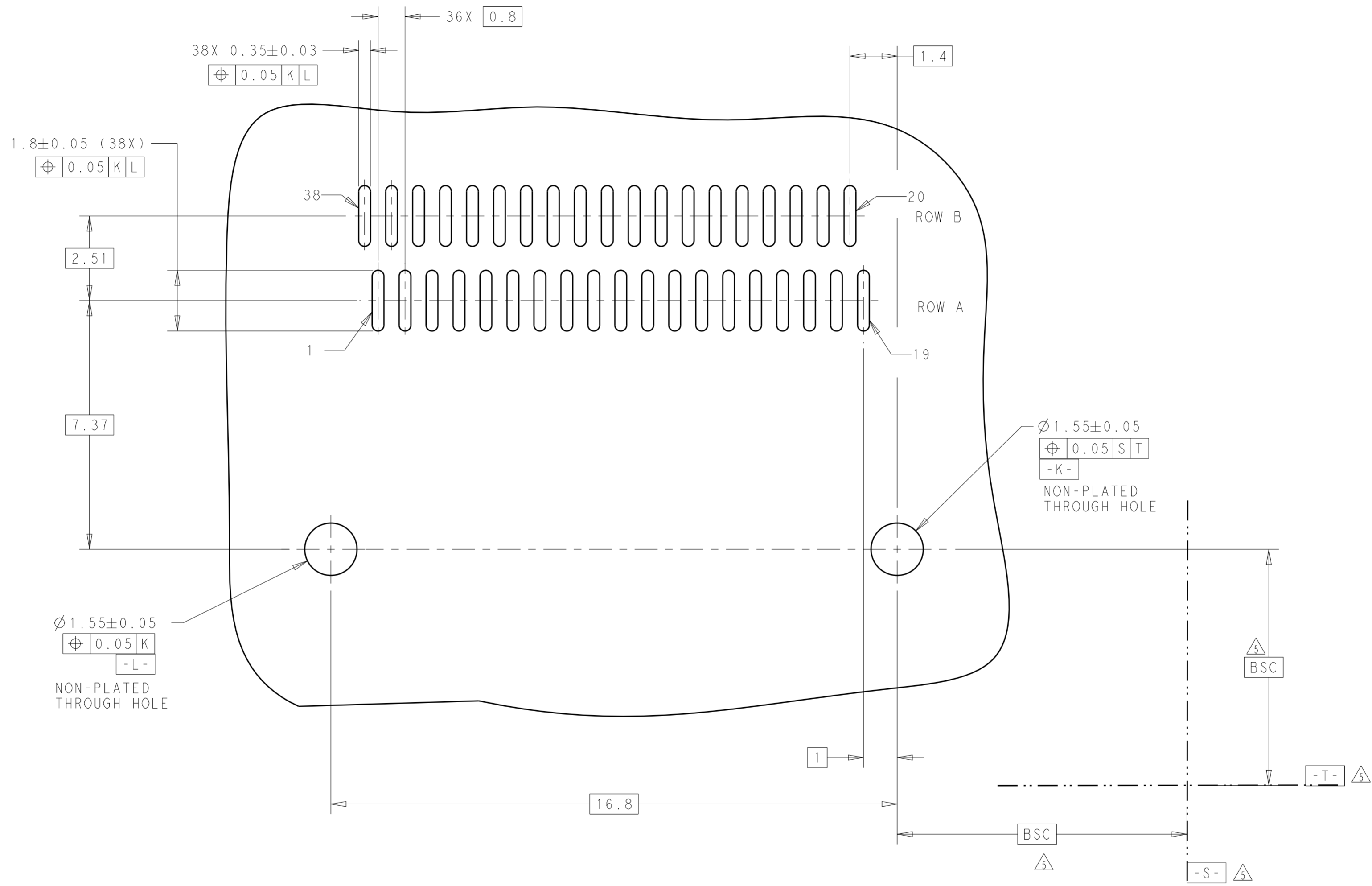


ITEM NO.	DESCRIPTION	PARTNUMBER AND QUANTITY
5	PICK AND PLACE PLATE	1 1
4	OVERMOLDED CONTACTS BOTTOM (19 CONTACTS)	1 1
3	OVERMOLDED CONTACTS TOP (19 CONTACTS)	1 1
2	ORGANISER	1 1
1	HOUSING	1 1


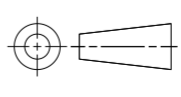
THIS DRAWING IS A CONTROLLED DOCUMENT. DIMENSIONING AND TOLERANCING PER ASME Y14.5M-2009		DWN E. ZIJLSTRA 17FEB2011	TE Connectivity zQSFP+ CONNECTOR 38 POSITIONS	
DIMENSIONS: mm		CHK B. MOOLIJ 17FEB2011		
TOLERANCES UNLESS OTHERWISE SPECIFIED:		APVD I. d. BOER	NAME	
0 PLC	±0.13	PRODUCT SPEC	108-19428	
1 PLC	±0.13	APPLICATION SPEC	114-127003	
2 PLC	±0.13	WEIGHT	-	
3 PLC	±	CUSTOMER DRAWING	SCALE - SHEET 1 OF 2 REV B	
4 PLC	±			
ANGLES	±			
FINISH	±			

THIS DRAWING IS UNPUBLISHED. RELEASED FOR PUBLICATION
 © COPYRIGHT - BY - ALL RIGHTS RESERVED.

LOC	DIST	REVISIONS					
GP	00	P	LTR	DESCRIPTION	DATE	DWN	APVD
		-		SEE SHEET 1	-	-	-



RECOMMENDED PCB-BOARD LAYOUT

THIS DRAWING IS A CONTROLLED DOCUMENT. DIMENSIONING AND TOLERANCING PER ASME Y14.5M-2009		DWN E. ZIJLSTRA 17FEB2011	 TE Connectivity	
DIMENSIONS: mm 		CHK B. MOOIJ 17FEB2011		
TOLERANCES UNLESS OTHERWISE SPECIFIED: 0 PLC ± 1 PLC ± 2 PLC ±0.13 3 PLC ± 4 PLC ± ANGLES ± FINISH		APVD I. d. BOER	NAME zQSP+ CONNECTOR 38 POSITIONS	
MATERIAL		PRODUCT SPEC 108-19428	SIZE A200779	CAGE CODE C-1551920
		APPLICATION SPEC 114-127003	DRAWING NO -	RESTRICTED TO -
		WEIGHT -	SCALE -	
		CUSTOMER DRAWING	SHEET 2 OF 2 REV B	