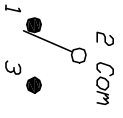


RECOMMENDED P.C.B. LAYOUT

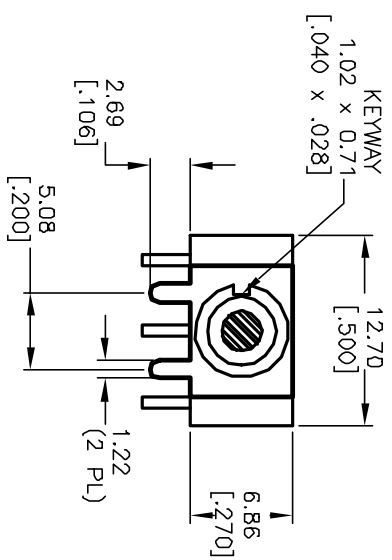


CIRCUIT: SPDT CONTACT CONFIGURATION

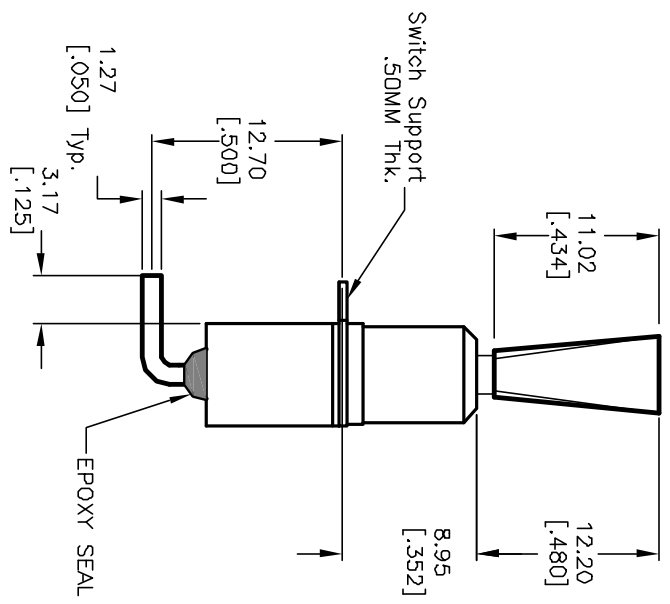
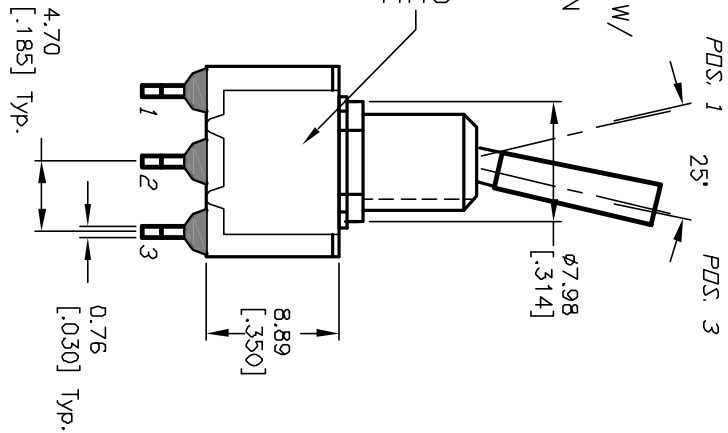
SWITCH FUNCTION		
PDS. 1	PDS. 2	PDS. 3
DN	NDNE	DN
2-3	DPEN	2-1

NOTES:

1. ALL DIMENSIONS IN MM [INCH]
2. GENERAL TOLERANCE: X.X=±0.4 X.XX=±0.25
3. TERM. NOS. FOR REF. ONLY
4. RATING: 0.4V @20V AC or DC max.
5. FIXED TERMINAL/MOVING CONTACT:  
Copper Alloy W/GOLD Plate over Nickel plate.
6. ELECTRICAL LIFE: 50,000 make-and-break cycles at full load.
7. INSULATION RESISTANCE: 1,000M ohm min.
8. DIELECTRIC STRENGTH: 1000V RMS @sea level
9. OPERATING TEMP.: -30°C to +85°C
10. ▲ DESIGNATE CRITICAL FEATURE



▲ \*\*T6 ACTUATOR W/ BUILT IN ANTI-ROTATION



REV. A	12573	RELEASED	11/18/02	CJB
ECN No.		DESCRIPTION	DATE	CHK'D

TITLE	SCALE	DATE	DR	DWG	REV
100 SP-1 T6 B12 M6 RE (GOLD CONTACTS)	2:1	--	--	T111063	A



THE INFORMATION CONTAINED IN THIS DOCUMENT IS PROPRIETARY TO E-SWITCH AND IS NOT TO BE COPIED OR TRANSMITTED