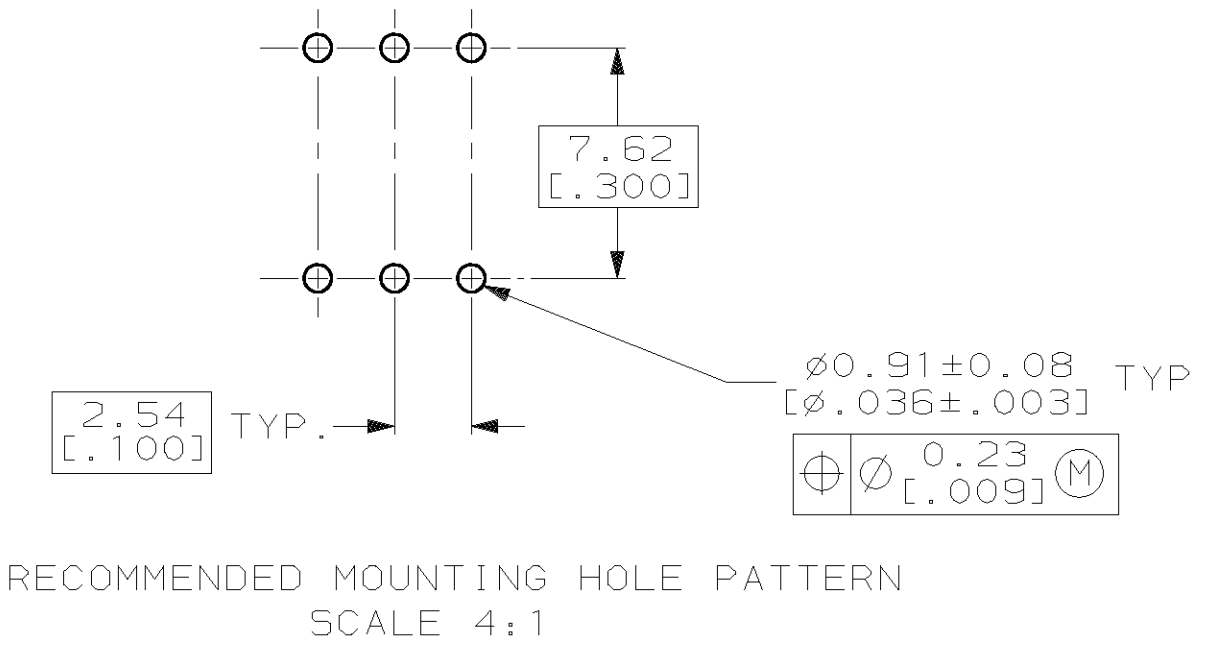
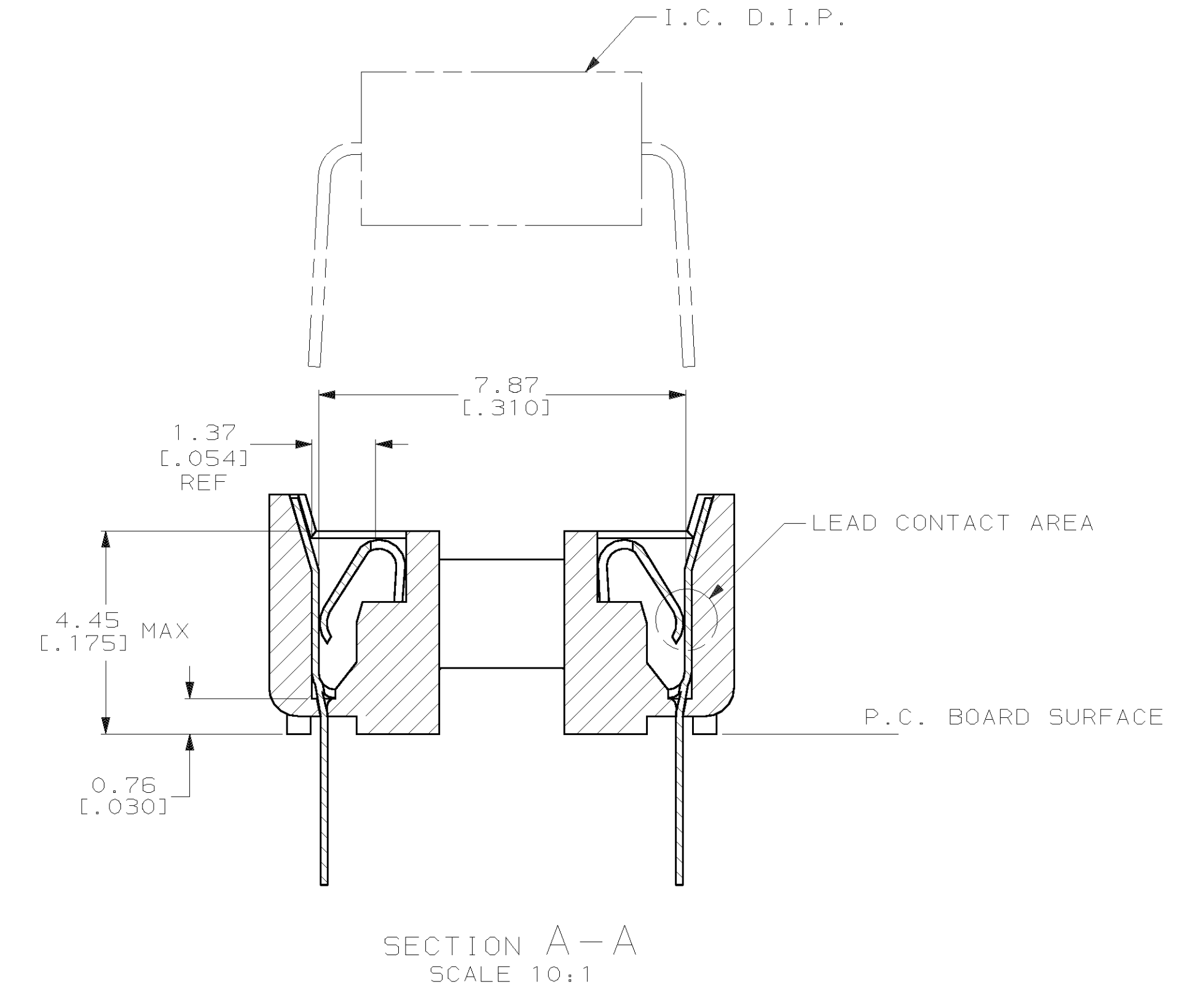
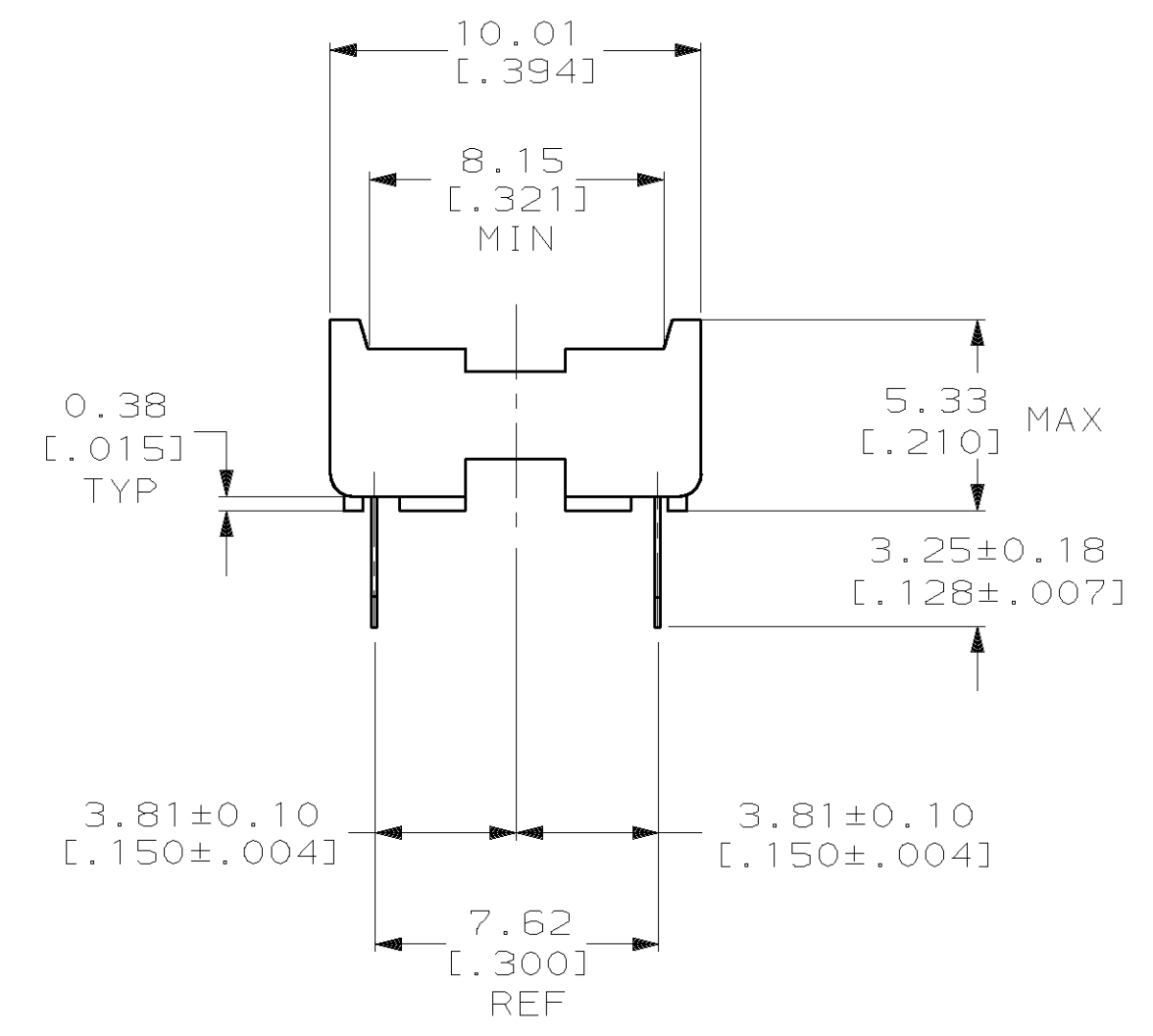
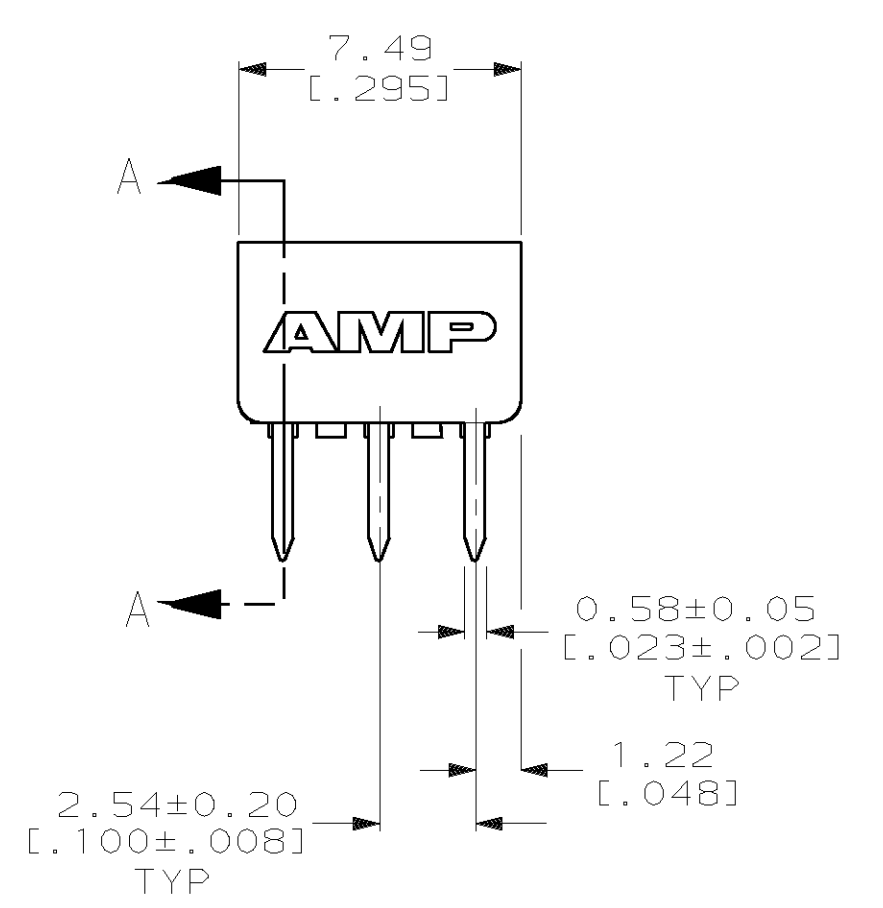
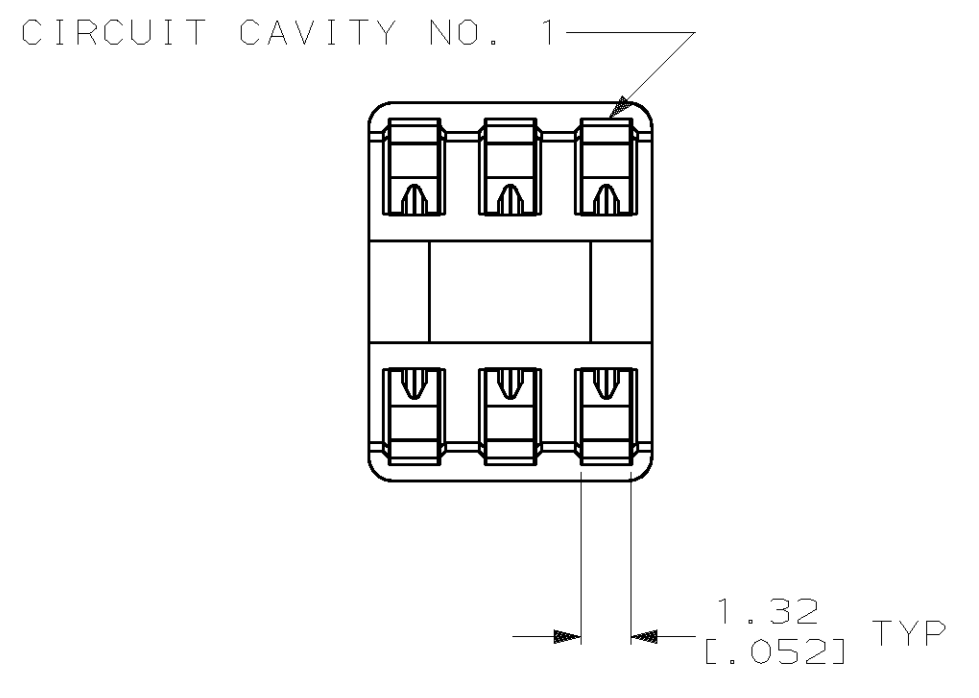


LOC		DIST		REV		REVISIONS		
FT	64	P	F	ZONE	LTR	DESCRIPTION	DATE	APPD
				C		REV PER 063C-0104-01	04SEP01	JO

1. RECEPTACLE ACCEPTS A 0.20-0.36 [0.008-.014] THICK I.C. LEAD.
2. TUBE LOADED FOR AUTOMATIC INSERTION.



CONTACT FINISH	CONTACT MAT'L	HOUSING MATERIAL	PART NO.
TINNED	PHOS.BRZ. 0.15 [0.006]	GLASS-FILLED THERMOPLASTIC, 94V-0, BLACK	2-382882-3
GOLD	BE.CU. 0.15 [0.006]	GLASS-FILLED THERMOPLASTIC, 94V-0, BLACK	2-382882-2
TINNED	BE.CU. 0.15 [0.006]	GLASS-FILLED THERMOPLASTIC, 94V-0, BLACK	2-382882-1

DO NOT SCALE PRINT. UNLESS SPECIFIED DIMENSIONS IN mm [INCHES] TOLERANCES ON: 2 PLC DEC ± 3 PLC DEC ± 0.13 [0.005] ANGLES ± 0°,30'	DR 7-5-94 R.TALLEY	AMP Incorporated Harrisburg, PA 17105-3608	NAME	
	CHK 7-5-94 R.TALLEY		SOCKET ASSY, DIP, 6 POS, DIPLOMATE DL	
	APPD 7-5-94 M.HUDDLESTON		PRODUCT SPEC	
	APPD 7-5-94 M.STADDON		108-1066	
SEE TABLE	APPLICATION SPEC	SIZE	CAGE CODE	DRAWING NO.
SEE TABLE	114-1049	D	00779	©-382882
	WEIGHT	SCALE	5:1	SHEET
				1 OF 1

THIS DRAWING IS A CONTROLLED DOCUMENT FOR AMP INCORPORATED. IT IS SUBJECT TO CHANGE AND THE CONTROLLING ENGINEERING ORGANIZATION SHOULD BE CONTACTED FOR THE LATEST REVISION.