

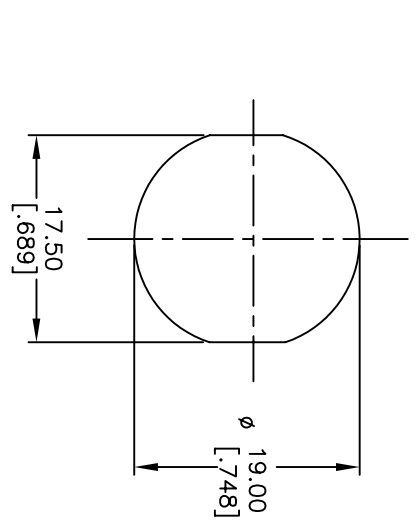
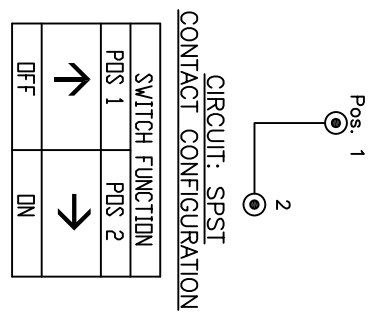
NOTES:

1. ALL DIMENSIONS IN MM [INCH]
2. GENERAL TOLERANCE: X.X=±0.4  
X.XX=±0.25
3. TERM. NOS. FOR REFERENCE ONLY.
4. RATING: 4A @125VAC, 2A @250VAC
5. CONTACT RESISTANCE: 10mILLI-OHMS
6. DIELECTRIC STRENGTH: 1500 VAC-1Minute
7. INSULATION RESISTANCE: 500 Mega-OHMS
8. MATERIALS:

HOUSING: ZINC ALLOY DIE CAST  
 CYLINDER: ZINC ALLOY W/CHROME PLATING  
 TERMINAL AND CONTACTS: SILVER PLATED  
 TUMBLER: 5 DISC MECHANISM W/DUST SHUTTER  
 KEYS 7325 (2): BRASS W/NICKEL PLATING  
 DOUBLE CUT REVERSIBLE

LEGEND

- = INDICATE NO KEY PULL
- ⊙ = INDICATES KEY PULL POSSIBLE



|                                |         |                         |      |
|--------------------------------|---------|-------------------------|------|
| 9. 2002/95/EC (ROHS) COMPLIANT |         |                         |      |
| C                              | 16880   | KEY PULL CORRECTED      | TN   |
| B                              | 16530   | KEY PULL CORRECTED      | TN   |
| A                              | 11746   | RELEASED FOR PRODUCTION | CJB  |
| REV.                           | ECN No. | DESCRIPTION             | DATE |
|                                |         |                         | CHKD |

|             |           |         |     |
|-------------|-----------|---------|-----|
| TITLE       |           |         |     |
| K0119B-7325 |           |         |     |
| SCALE       | DATE      | DR      | REV |
| 1.5:1       | 1/17/2007 | TN      | C   |
| DWG         |           | K200119 |     |

THE INFORMATION CONTAINED IN THIS DOCUMENT IS PROPRIETARY TO E-SWITCH AND IS NOT TO BE COPIED OR TRANSFERRED

