

THIS DRAWING IS UNPUBLISHED.

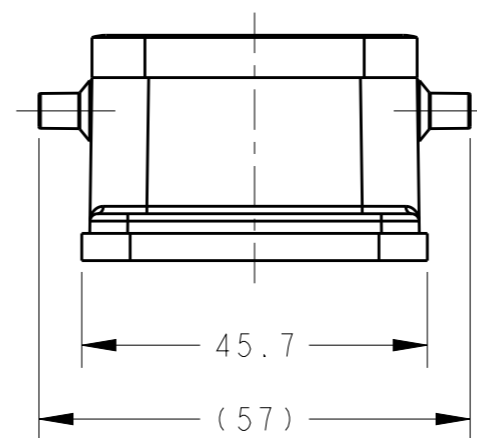
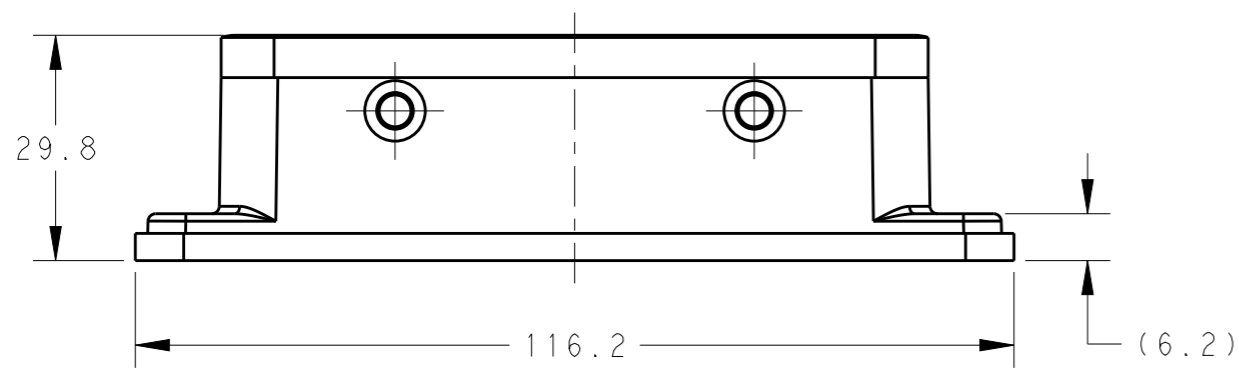
RELEASED FOR PUBLICATION

20

© COPYRIGHT 20 BY - ALL RIGHTS RESERVED.

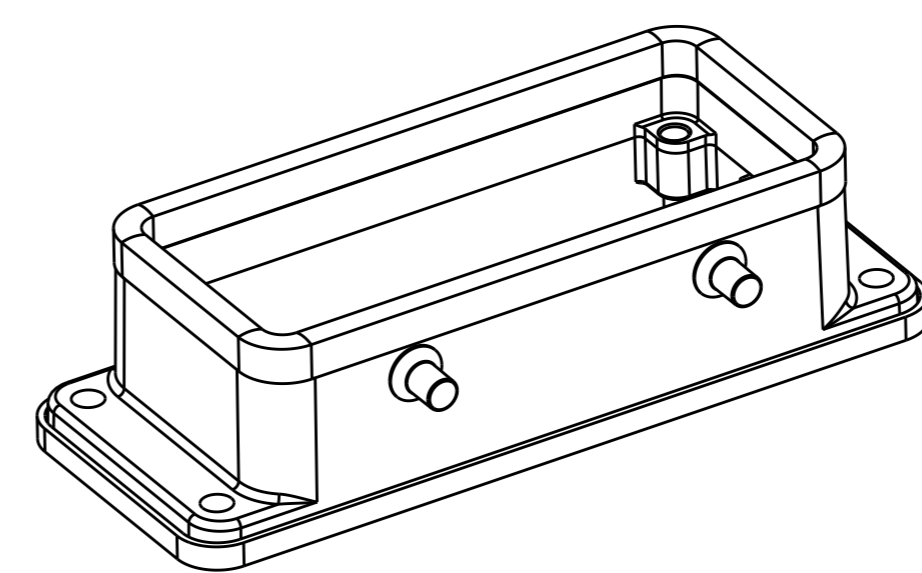
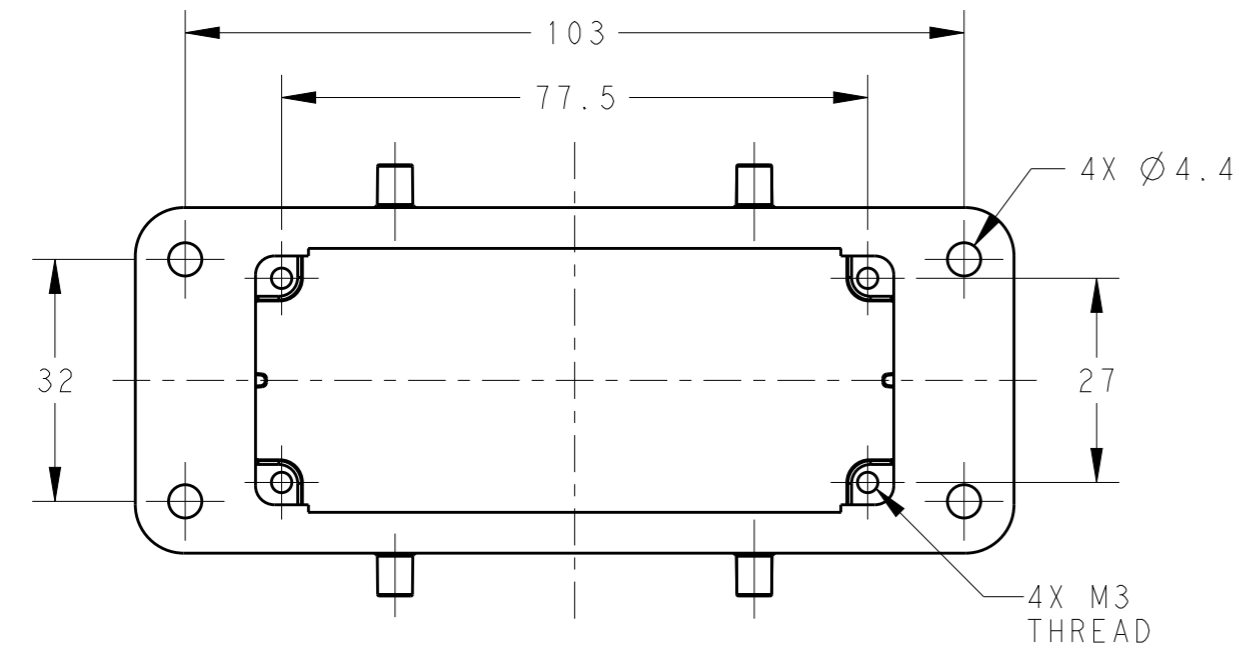
REVISIONS

P	LTR	DESCRIPTION	DATE	DWN	APVD
	A	INITIAL	18JUN2015	DW	CW

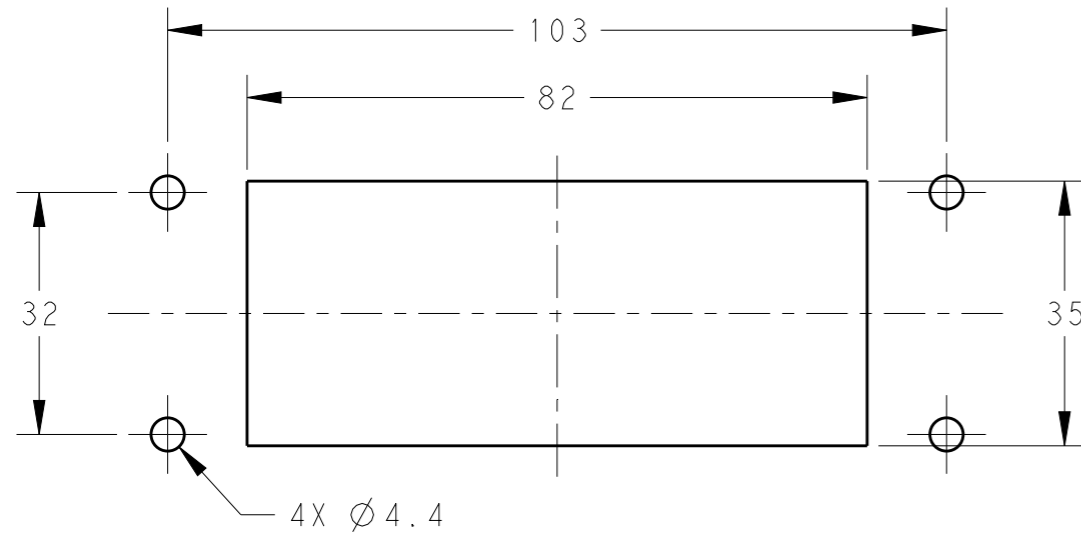


NOTES:
 1. TECHNICAL CHARACTERISTICS:
 HOUSING MATERIAL: DIE CAST ALUMINIUM ALLOY
 SURFACE: POWDER COATED, GREY
 OPERATION TEMPERATURE: -40-+125°C
 DEGREE OF PROTECTION: IP65 (MATED)


注释:
 1. 技术参数:
 下壳材料: 铝合金
 表面处理: 粉末涂层, 灰色
 工作温度: -40-+125°C
 防护等级: IP65(配合)



PANEL CUT OUT



T1420160000-000	H16B-AG-BO
PART NUMBER	DESCRIPTION

THIS DRAWING IS A CONTROLLED DOCUMENT.		DWN 05JUN2015 David Wang	 TE Connectivity	
DIMENSIONS: mm		CHK 05JUN2015 Chris Wang		
TOLERANCES UNLESS OTHERWISE SPECIFIED:		APVD 05JUN2015 Xiang Xu	NAME H16B-AG-BO	
0 PLC ±-		PRODUCT SPEC 108-137013	SIZE A3	
1 PLC ±-		APPLICATION SPEC 114-137013	CAGE CODE 00779	DRAWING NO T1420160000000
2 PLC ±-		WEIGHT -	RESTRICTED TO -	
3 PLC ±-		Customer Drawing	SCALE 1:1	SHEET 1 OF 1
4 PLC ±-			REV A	
ANGLES ±-				
FINISH -				