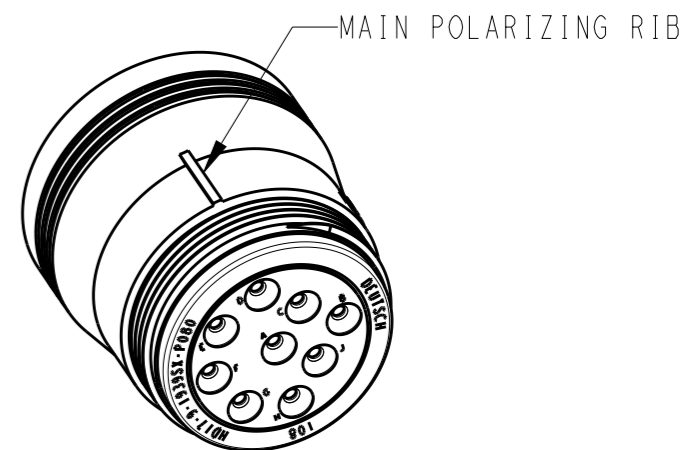
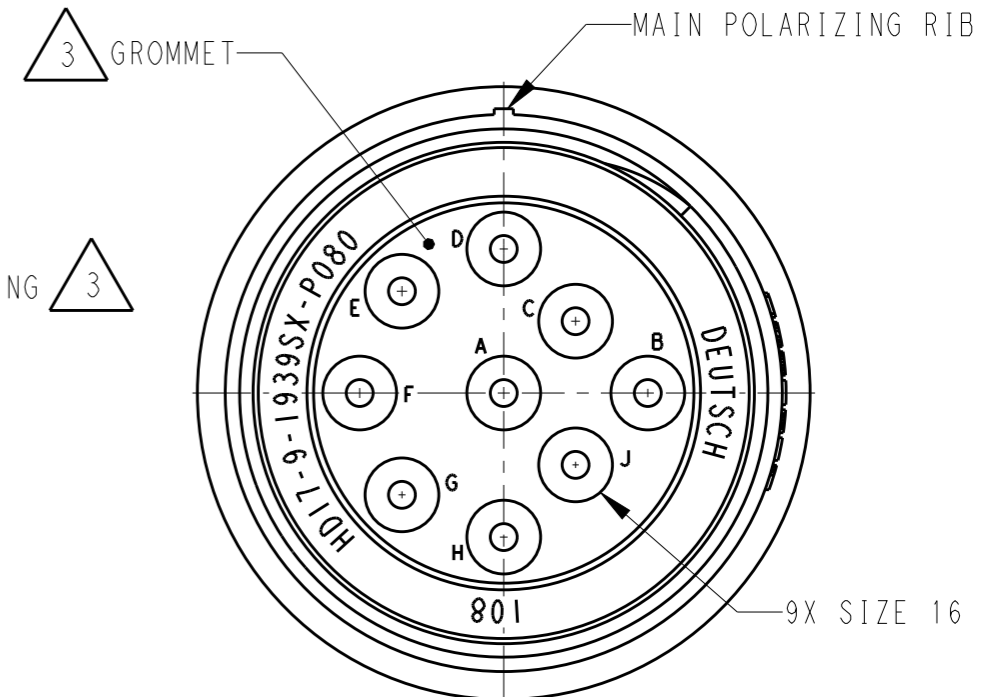
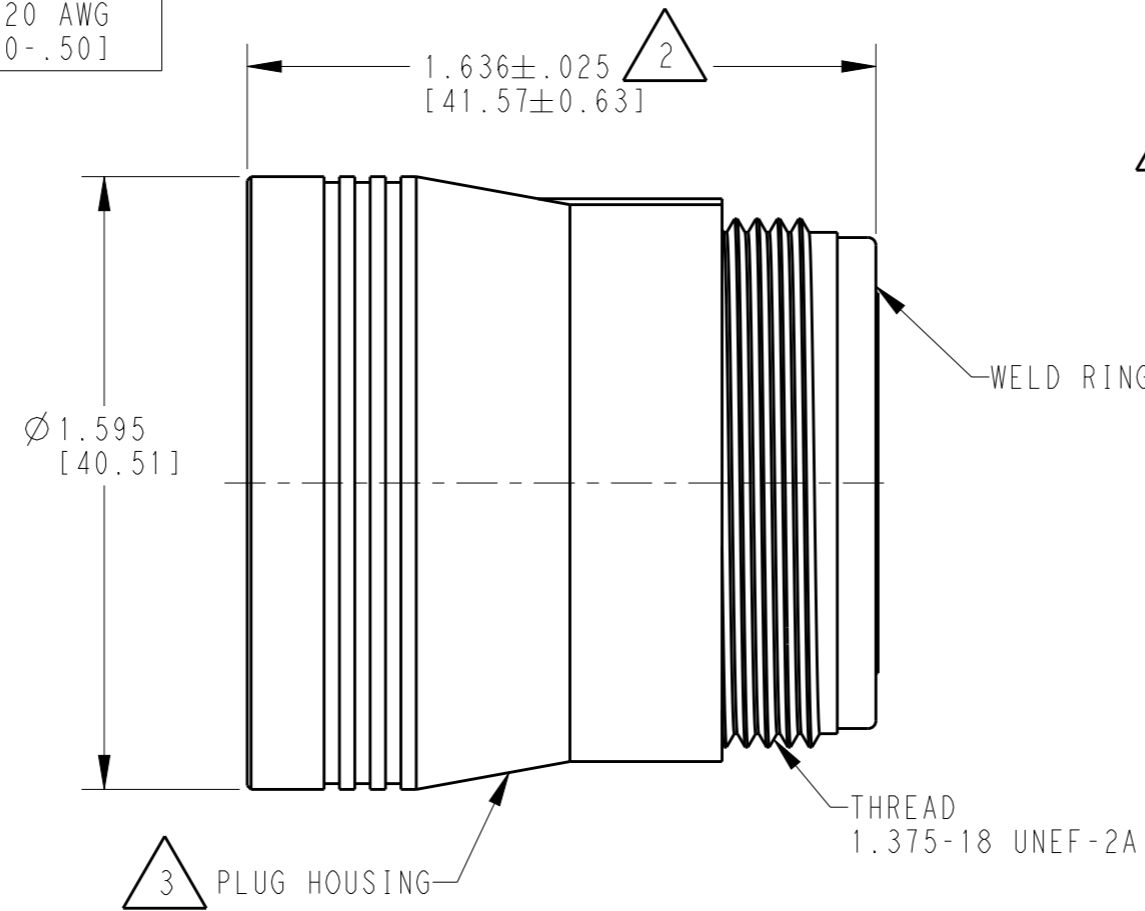
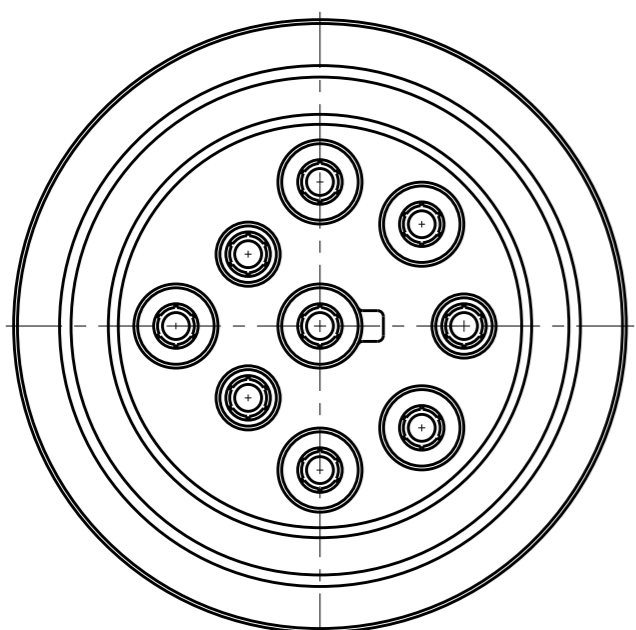


| LOC | DIST | REVISIONS | | | |
|-----|------|-----------------------------|-----------|-----|------|
| P | LTR | DESCRIPTION | DATE | DWN | APVD |
| | NC | NEW RELEASE PER E.O. P21126 | 8NOV2011 | IG | RDR |
| | A | REVISED PER ECO-14-002953 | 11FEB2014 | PV | DM |
| | A1 | REVISED PER ECO-15-002653 | | JA | DM |

| SEAL TYPE | CONTACT SIZE | MIN INSUL O.D. [mm] | MAX INSUL O.D. [mm] | WIRE RANGE [mm ²] REF ONLY |
|-----------|--------------|---------------------|---------------------|--|
| N | 16 | .100 [2.54] | .150 [3.81] | 14-20 AWG [2.0-.50] |
| E | 16 | .053 [1.35] | .120 [3.05] | 14-20 AWG [2.0-.50] |



| TE INTERNAL PN | DEUTSCH PN |
|--------------------|--------------------|
| HD17-9-1939S-P080 | HD17-9-1939S-P080 |
| HD17-9-1939SE-P080 | HD17-9-1939SE-P080 |

- 4. P080 MODIFICATION: SAE J1939-13, TYPE 2.
- 3 MATERIAL: PLUG HOUSING: PA66 GF15 (GREEN)
WELD RING: PA66 GF15 (GREEN)
GROMMET: SILICONE (ORANGE-RED)
- 2 OVERALL DIMENSION DOES NOT INCLUDE RUBBER GROMMET.

- 1. THIS PLUG MATES WITH FOLLOWING RECEPTACLES:
 HD10-9-1939PX
 HD10-9-1939PX-B022
 HD10-9-1939PX-BP03
 HD10-9-1939PX-P080
 HD14-9-1939PX
 HD14-9-1939PX-P080
 X = SEAL TYPE (N,E)

NOTES:

| | | | | | |
|---|--|-----------------------------------|--|--|--|
| THIS DRAWING IS A CONTROLLED DOCUMENT. | | DWN 10AUG2011 I. GRANTCHAROVA | | TE Connectivity | |
| DIMENSIONS: INCHES [mm] | | CHK 17SEP2013 I. GRANTCHAROVA | | | |
| TOLERANCES UNLESS OTHERWISE SPECIFIED: | | APVD 19SEP2013 D. MEYER | | NAME PLUG CONNECTOR 1939 ARRANGEMENT, -P080 MOD HD10 SERIES | |
| 0 PLC ± 1 PLC ± 2 PLC ± 3 PLC ±.015 [0.38] 4 PLC ± ANGLES ±0° 30' 0" | | PRODUCT SPEC 0425-015-0000 | | SIZE A3 | |
| MATERIAL 3 | | FINISH N/A | | CAGE CODE 4AFU8 | |
| | | APPLICATION SPEC 0425-015-0000 | | DRAWING NO HD17-9-1939SX-P080 | |
| | | WEIGHT 39.0g | | RESTRICTED TO - | |
| | | Customer Drawing | | SCALE 2:1 SHEET 1 OF 1 REV A1 | |