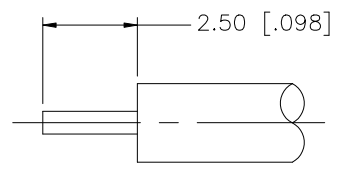
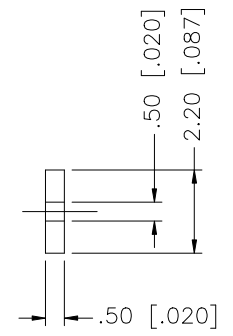
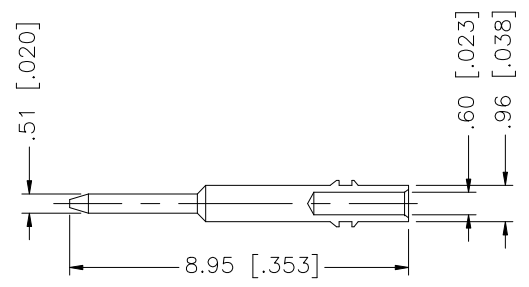
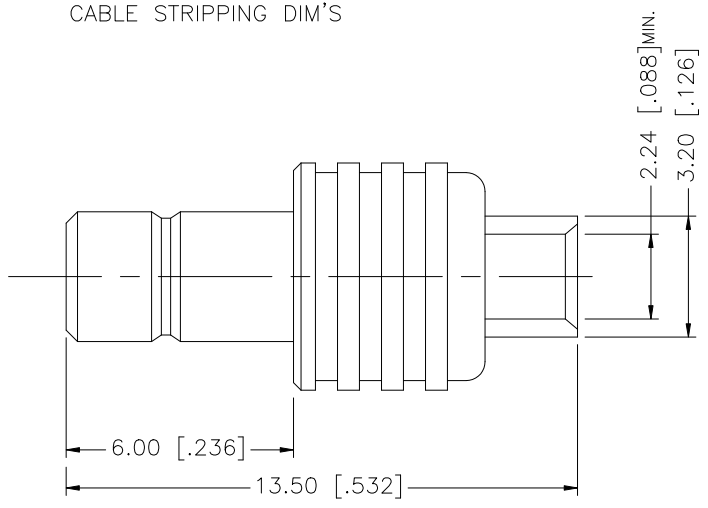


REV.	DATE	DESCRIPTION
NC	05/24/05	INITIAL RELEASE
A	07/31/07	ADD INSULATOR, UPDATE DRAWING FORMAT



RECOMMENDED
CABLE STRIPPING DIM'S



8				
7				
6				
5				
4	INSULATOR	TEFLON	NATURAL	1
3	CONTACT PIN	BRASS	GOLD	1
2	INSULATOR	TEFLON	NATURAL	1
1	BODY	BRASS	GOLD	1
	DESCRIPTION	MATERIAL	FINISH	QTY

UNLESS OTHERWISE SPECIFIED DIMENSIONS ARE IN MILLIMETERS. DIMENSIONS IN [] ARE IN INCHES AND FOR CUSTOMER REFERENCE ONLY.

UNLESS OTHERWISE SPECIFIED TOLERANCES FOR MILLIMETERS ARE:
0.5 - 8mm ± 0.20mm
8 - 30mm ± 0.40mm
30 - 120mm ± 0.50mm

UNLESS OTHERWISE SPECIFIED TOLERANCES FOR INCHES ARE:
.020 - .315 = ± 0.007"
.315 - 1.180 = ± 0.015"
1.180 - 4.724 = ± 0.020"

DO NOT SCALE DRAWING

APPROVALS	DATE
DRAWN G.R.S.	07/31/07
CHECKED	
ISSUED	
SHEET 1 OF 1	
CAD FILE	C:/142/142253.DWG

Amphenol Connex

PART DESCRIPTION
**SMB DIRECT SOLDER JACK
(FOR .085", .086" S/R CABLE)**

PART NO.
142253

DWG. NO.	142253.DWG	REV.	A	SIZE	A	SCALE	NA
----------	------------	------	---	------	---	-------	----