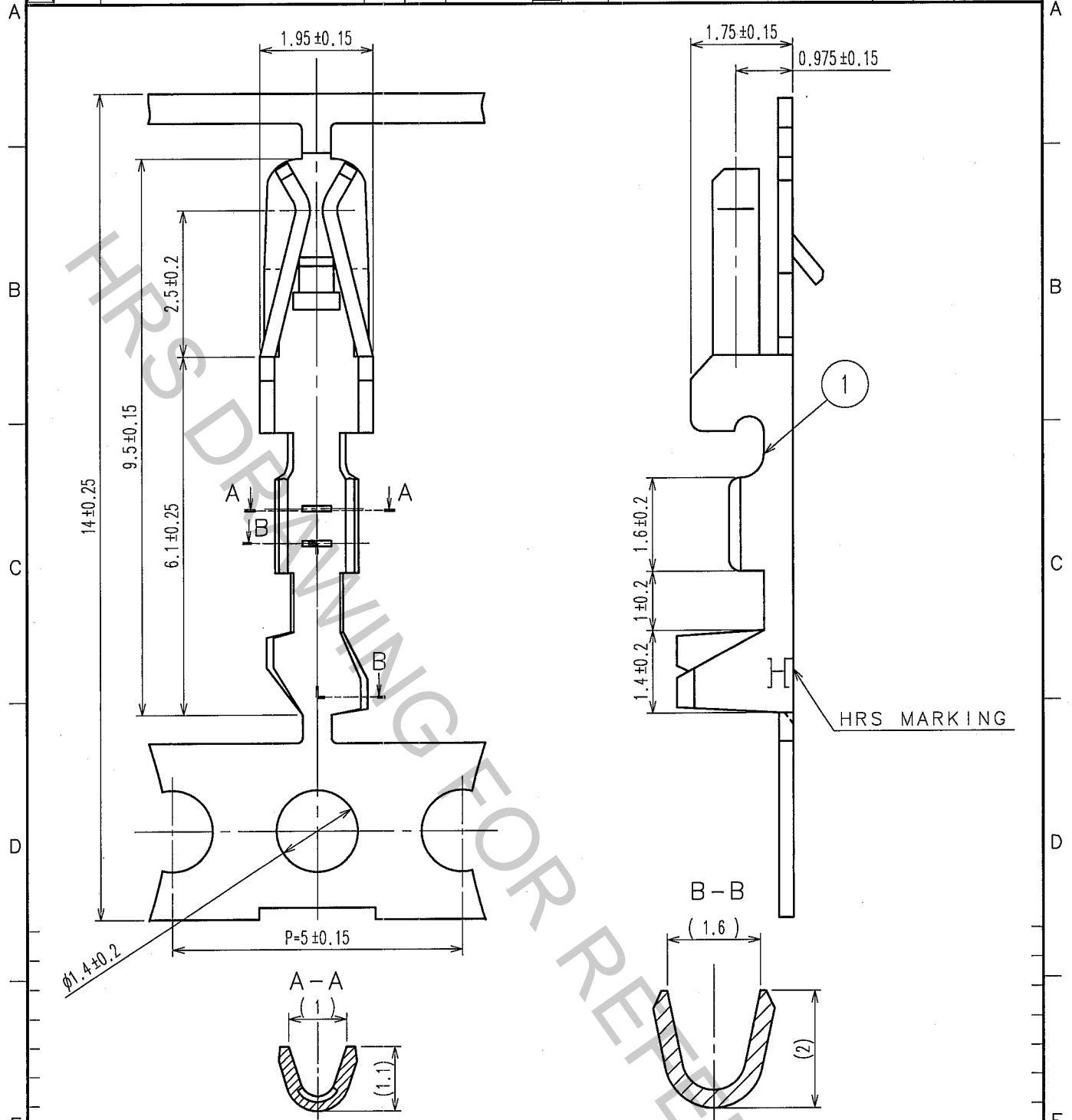


1		2			3			4		
COUNT	DESCRIPTION OF REVISIONS	BY	CHKD	DATE	COUNT	DESCRIPTION OF REVISIONS	BY	CHKD	DATE	
△					△				. .	
△					△				. .	
△					△				. .	



NOTE1: APPLICABLE CABLE: AWG30

NO.	MATERIAL	FINISH, REMARKS	NO.	MATERIAL	FINISH, REMARKS
			1	PHOSPHOR BRONZE	TIN PLATED 1μm MIN

CODE NO. (OLD)	CL	DRAWN	DESIGNED	CHECKED	APPROVED	RELEASED
		K. ISHII	K. ISHII	H. Umehara	T. Sahata	
		'07.08.27	'07.08.27	07-08-28	07.08.29	

TO

SCALE	10 : 1	DRAWING NO.	EDC4-080534-01	PART NO.	DF1B-30SCF
UNITS	mm	<b>HRS</b>	HIROSE ELECTRIC CO., LTD.	CODE NO.	CL541-0682-9
					1/1