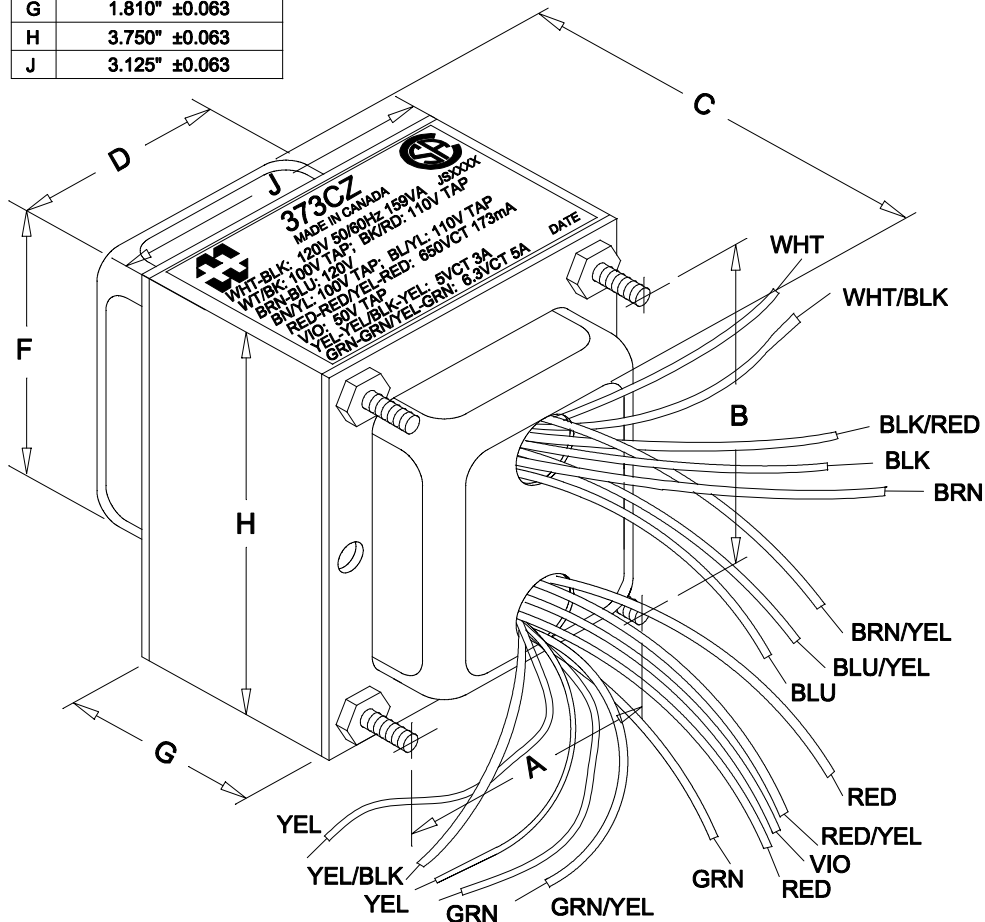
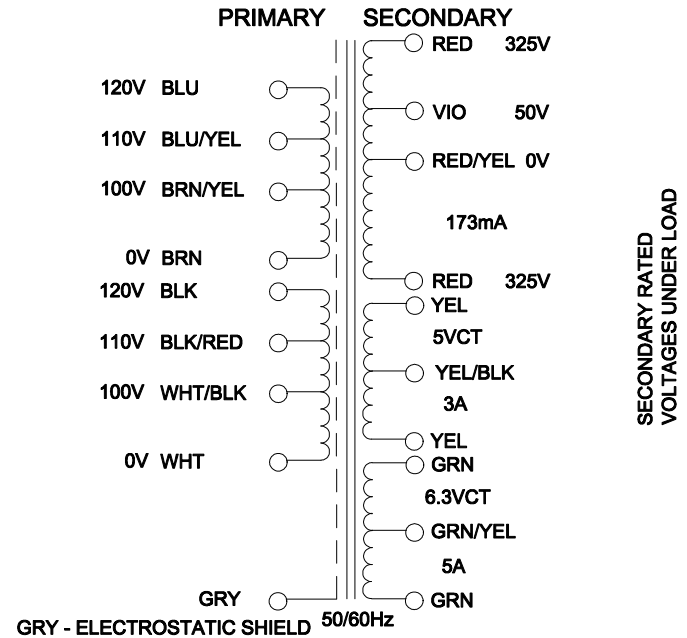


DIMENSIONS:	
A	2.500" ±0.063
B	3.125" ±0.063
C	4.060" ±0.125
D	2.060" ±0.063
F	2.685" ±0.063
G	1.810" ±0.063
H	3.750" ±0.063
J	3.125" ±0.063



NOTE: ALL LEADS 8" OUT MIN. STRIPPED 0.5"



ELECTRICAL DATA:		
TESTS	CONDITIONS	ACCEPTANCE CRITERIA
I _{ex}	@ 120V, 60Hz, WHT - BLK	138mA Max.
Sec. N.L.V	@ 120V, 60Hz, WHT - BLK	
	RED - RED =	700.8V ±2%
	RED - RED/YEL = RED/YEL - RED =	350.4V ±2%
	RED/YEL - VIO =	50.00V ±2%
	YEL - YEL =	5.385V ±2%
	YEL - YEL/BLK = YEL/BLK - YEL =	2.692V ±2%
	GRN - GRN =	6.923V ±2%
	GRN - GRN/YEL = GRN/YEL - GRN =	3.462V ±2%
DCR	@ 20°C, WHT - BLK =	4.484 Ω ±20%
	@ 20°C, BRN - BLU =	4.840 Ω ±20%
	@ 20°C, RED - RED =	126.2 Ω ±20%
	@ 20°C, YEL - YEL =	0.051 Ω ±20%
	@ 20°C, GRN - GRN =	0.054 Ω ±20%
HIPOT	PRIMARY - SECONDARY	2500V, 60Hz, 1 SEC

REV.#	REVISION	DATE	HAMMOND ELECTRONIC DIVISION		PH # (519) 886-6181 FAX # (519) 886-9540
0	RELEASED. C.I.	09/17/12	52 RANKIN PLACE, WATERLOO, ONTARIO, N2J 3Z5		
			DWG. BY: C. ILIE	CHK'D BY:	TITLE: POWER TRANSFORMER
			DATE: 09/17/12	APP'D. BY:	
				DIMENSIONS: IN(X) MM()	DWG. NO. 373CZ