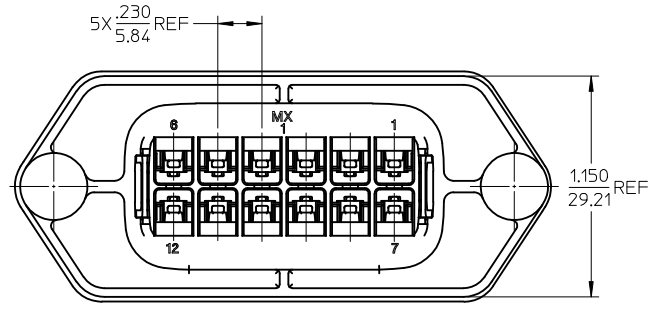
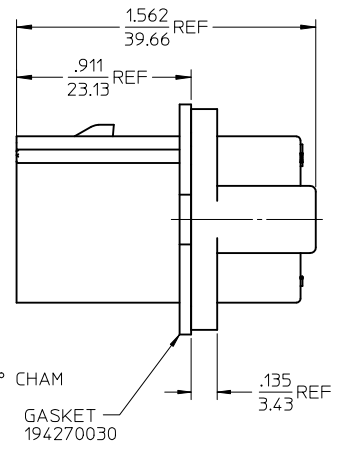
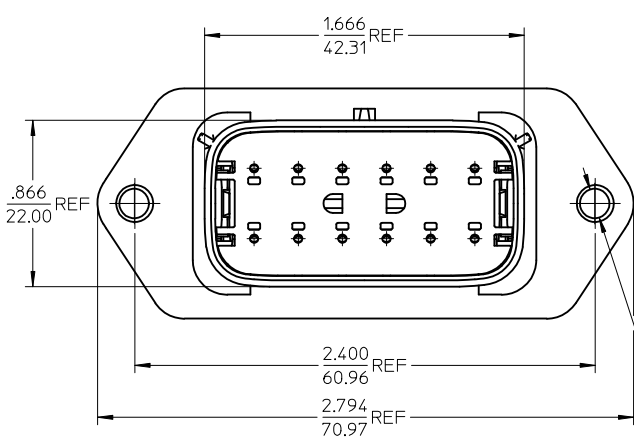


SCALE 1:1



2X \varnothing .154 REF (3.91) X .030 REF X 45° CHAM

- Ⓢ NOTES:
- MATERIALS:
HOUSING: POLYESTER (PBT), GLASS FILLED, UL94 V-0.COLOR: BLACK
GASKET: EPDM RUBBER
 - PRODUCT SPECIFICATION: PS-19417-001.
 - PACKAGING SPECIFICATION: PK-19429-001.
GASKETS, IF REQUIRED FOR THE ASSEMBLIES, ARE BULK PACKAGED IN A SEPARATE BAG.
 - MATES WITH: 19418 SERIES RECEPTACLE ASSEMBLIES.
 - USE CONNECTOR WITH MALE CRIMP TERMINAL: SERIES 19417.
 - RECOMMENDED MOUNTING HARDWARE: (2) $\#$ 10 X .62/15.8 LONG PLASTIC THREAD CUTTING SCREWS. RECOMMENDED TORQUE 15-17 IN-LBS. SUGGESTED SOURCE: ITW SHAKEPROOF INDUSTRIAL BOSSCREW OR EQUIVALENT.
 - ASSEMBLY IS ROHS COMPLIANT.

REVISE NOTES EC NO: IPG2012-0161 DRWN: WLEUNG 2012/02/10 CHKD: APPR: DTITUS 2012/02/28	DESCRIPTION 12 WAY PLUG PANEL MOUNT ASSEMBLY	QUALITY SYMBOLS	GENERAL TOLERANCES (UNLESS SPECIFIED)	SCALE 2:1	DESIGN UNITS INCH	THIRD ANGLE PROJECTION	REVISE ON CAD ONLY
		▽ = 0 ∇ = 0	4 PLACES ± --- ± --- 3 PLACES ± --- ± .015 2 PLACES ± 0.38 ± --- 1 PLACE ± --- ± --- ANGULAR ± 1°	DIMENSION STYLE IN/MM		TITLE	
		DRAFT WHERE APPLICABLE MUST REMAIN WITHIN DIMENSIONS	DRAWN BY DATE DMYRICK 03/12/08 CHECKED BY DATE JPAWLICK 03/12/08 APPROVED BY DATE DTITUS 2010/10/18	MOLEX MOLEX INCORPORATED SEE CHART SD-19429-007		SHEET NO. 1 OF 1	
		THIS DRAWING CONTAINS INFORMATION THAT IS PROPRIETARY TO MOLEX INCORPORATED AND SHOULD NOT BE USED WITHOUT WRITTEN PERMISSION					

194290039	YES
194290015	NO
MATERIAL NUMBER	GASKET