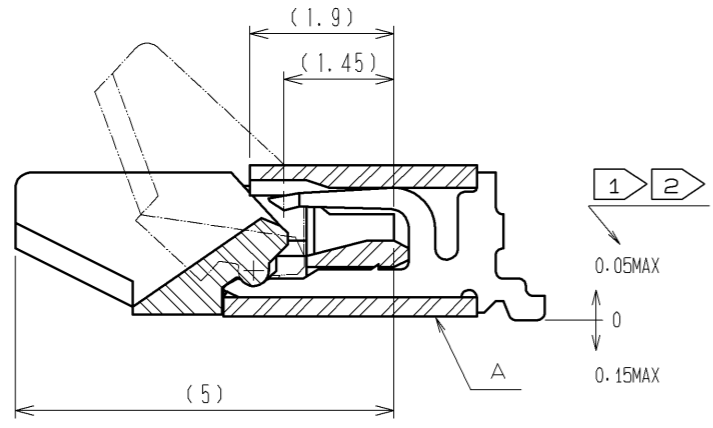
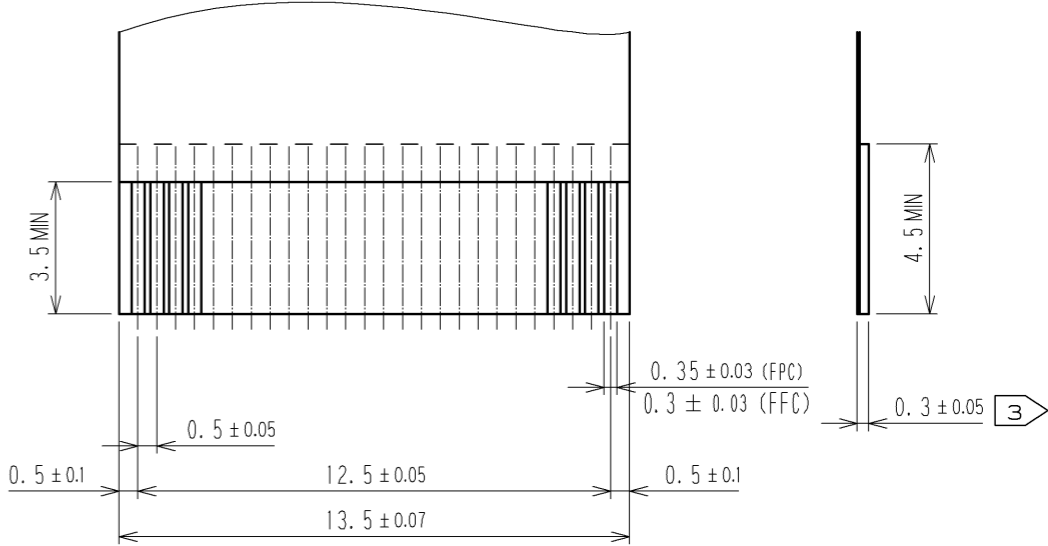


- NOTE
- 1 REFERENCE IS A.
 - 2 LEAD CO-PLANARITY SHALL BE 0.1MAX.
 - 3 THICKNESS OF SUPPORTING TAPE SHALL BE 0.188(7.5mil)MIN.

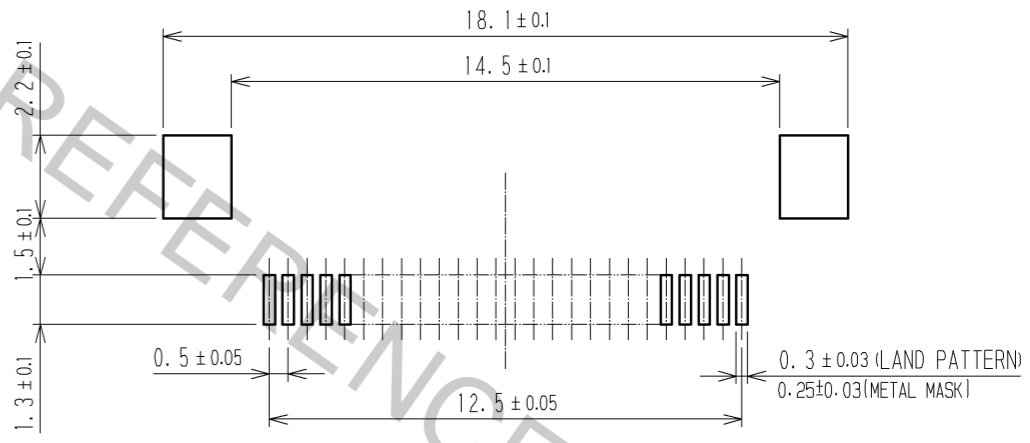
B-B (10 : 1)



RECOMMENDED FPC, FFC

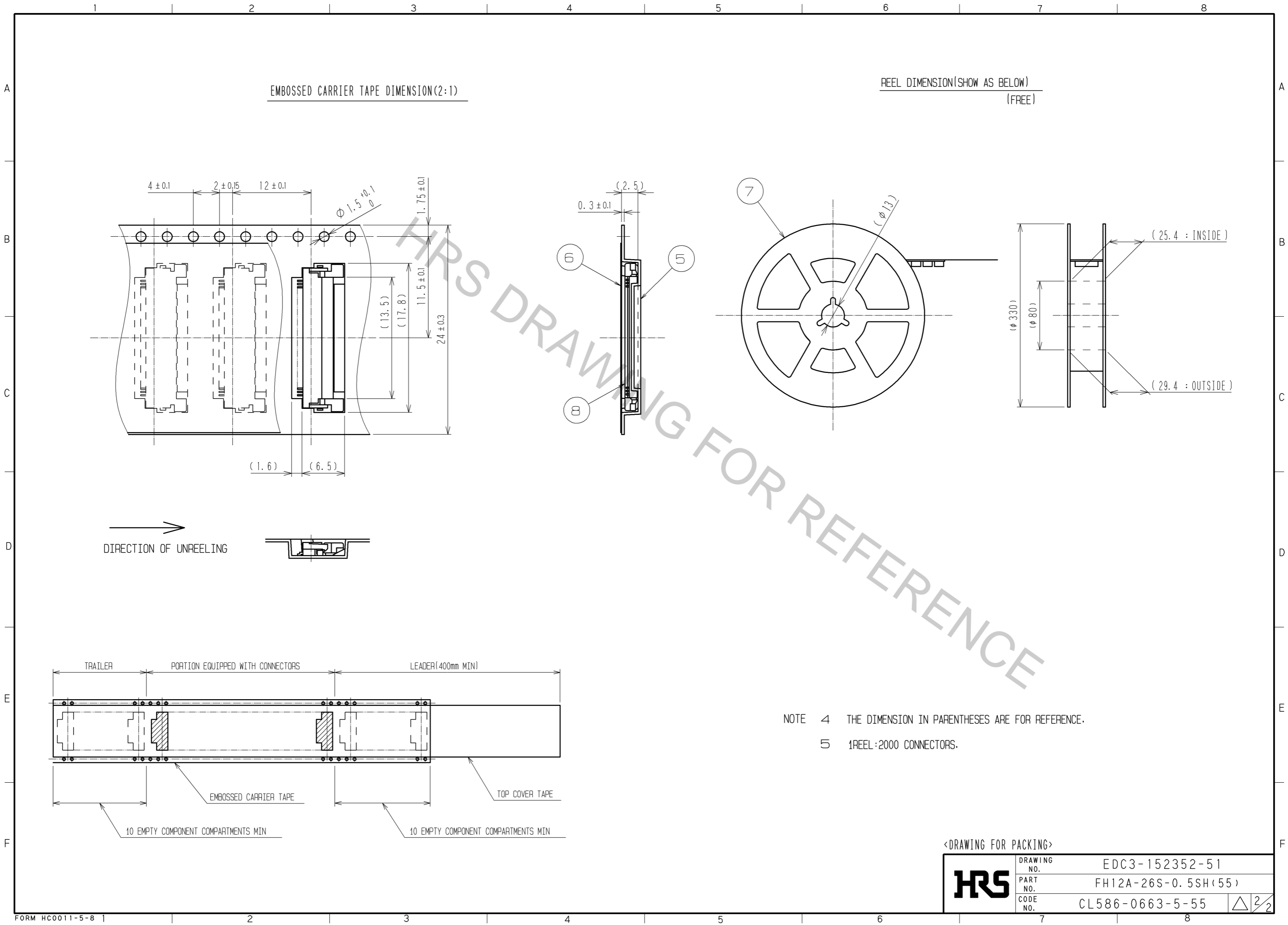


RECOMMENDED LAND PATTERN, METAL MASK



RECOMMENDED METAL MASK THICKNESS: t=0.15

| 4 | BRASS | TIN PLATING 1#MIN.OVER NICKEL 1#MIN | 8 | (CONNECTOR) | |
|--------------------------|-----------------|---|------------------------------|-------------|------------------|
| 3 | PHOSPHOR BRONZE | GOLD PLATING 0.05#MIN.OVER NICKEL 1#MIN | 7 | POLYSTYRENE | |
| 2 | PPS | (DEEP BROWN) UL94V-0 | 6 | POLYESTER | |
| 1 | POLYAMIDE | (BEIGE) UL94V-0 | 5 | POLYSTYRENE | |
| NO. | MATERIAL | FINISH . REMARKS | NO. | MATERIAL | FINISH . REMARKS |
| UNITS | mm | SCALE | 5 : 1 | COUNT | △ |
| APPROVED : R.I. TAKAYASU | | 07. 10. 03 | DRAWING NO. EDC3-152352-51 | | |
| CHECKED : HS. SAKAMOTO | | 07. 10. 03 | PART NO. FH12A-26S-0.5SH(55) | | |
| DESIGNED : MK. YASUMI | | 07. 10. 03 | CODE NO. CL586-0663-5-55 | | |
| DRAWN : MK. YASUMI | | 07. 10. 03 | DATE | | |



<DRAWING FOR PACKING>

| | | |
|------------|-------------|---------------------|
| HRS | DRAWING NO. | EDC3-152352-51 |
| | PART NO. | FH12A-26S-0.5SH(55) |
| | CODE NO. | CL586-0663-5-55 |
| | | \triangle 2/2 |