

## Standard Features

- **Protection Level:** IP65
- **Technical:** Fits 14 Circuit Breaker Poles  
Knockout Sidewalls and installed double membrane seals  
Tinted Transparent Door  
Multiple Enclosure Combination Option
- **UL Recognized Enclosure Materials:** Polystyrene or Polycarbonate
- **Door Material:** Polycarbonate
- **Gasket Material:** Polyurethane
- **Material Temperature Range:** Polystyrene  
-40°C to 70°C (-40°F to 158°F)  
Polycarbonate  
-40°C to 120°C (-40°F to 248°F)
- **Color:** Light Gray
- **Included Accessories:** (2) DIN Rails, Cable Shield, Filler Strips, (1) Label Strip, (15) M20 Double Membrane Seals, (2) M25 Double Membrane Seals, (1) M32 Double Membrane Seals, (1) M40 Entry Spout  
See section below
- **Accessories:** See section below



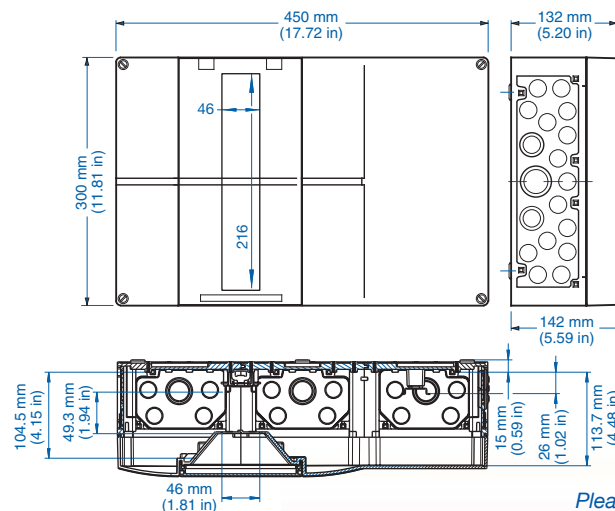
## AK 14+1

Ordering Information	Cat. No.	Type	Length	Dimensions mm (in) Width	Height	Std. Pk.
<b>Polystyrene</b>						
Enclosure	737-414	AK14+1	450 mm (17.72 in)	300 mm (11.81 in)	142 mm (5.59 in)	1
<b>Polycarbonate</b>						
Enclosure	738-414	AKi14+1	450 mm (17.72 in)	300 mm (11.81 in)	142 mm (5.59 in)	1

## Accessories

Ordering Information	Cat. No.	Type	Std. Pk.
Key Lock	706-102	KL2	1
Mounting Plate – 240 x 112 mm	795-001	MPI 1	1
Mounting Plate – 240 x 240 mm	795-002	MPI 2	1
Mounting Plate – 240 x 390 mm	795-003	MPI 3	1
DIN Rail - 216 mm Surface Mounted	795-030	NS35-216/3	1
Hinge Kit Set	190-005	HK2	1
Mounting Tab Kit (metal)	793-004	MT2	1
Filler Strip	799-012	108 mm piece (6 divisions)	1
2x17 Pole Ground/Neutral Terminal Strip (3 screw clamps 2.5-16mm <sup>2</sup> , 14 spring clamps 1.5-4mm <sup>2</sup> each)	790-317	AK14PE/N-SL	1

Please refer to pages 149-152 for additional accessories and detailed information.



Please refer to page 158 for Knockout details.