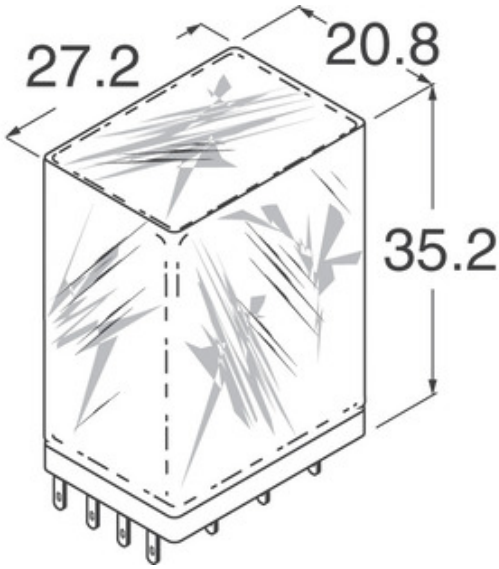


Panasonic

Panasonic

HC1E-HP-AC24V-F

Nombor Bahagian:	HC1E-HP-AC24V-F
Pengilang / jenama:	Panasonic
Penerangan Produk	RELAY GEN PURPOSE SPDT 5A 24V
Helaian data:	HC1E-HP-AC24V-F.pdf
Status RoHS	Memimpin percuma / RoHS Compliant
Keadaan Stok	7717 pcs stock
Kapal Dari	Hong Kong
Cara Penghantaran	DHL/Fedex/TNT/UPS/EMS



Imej mungkin perwakilan. Lihat spesifikasi untuk butiran produk.

PERMINTAAN UNTUK SEBUT HARGA

Spesifikasi HC1E-HP-AC24V-F

NOMBOR BAHAGIAN	HC1E-HP-AC24V-F
PENGLUAR	Panasonic
PENERANGAN	RELAY GEN PURPOSE SPDT 5A 24V
STATUS STATUS PERCUMA / ROSH STATUS	Memimpin percuma / RoHS Compliant
KUANTITI TERSEDIA	7717 pcs
LEMBARAN DATA	HC1E-HP-AC24V-F.pdf
HIDUPKAN VOLTAN (MAX)	19.2 VAC
MATIKAN VOLTAN (MIN)	7.2 VAC
STYLE PENAMATAN	PC Pin
VOLTAN SWITCHING	250VAC - Max
SIRI	HCE
SIARAN MASA	10ms
JENIS RELAY	General Purpose
PEMBUNGKUSAN	Bulk
SUHU OPERASI	-40°C ~ 60°C
BEROPERASI MASA	10ms
PEMASANGAN JENIS	Through Hole
TAHAP SENSITIVITI LEMBAPAN (MSL)	1 (Unlimited)
STATUS STATUS PERCUMA / ROSH STATUS	Lead free / RoHS Compliant
CIRI-CIRI	Sealed - Amber
PENERANGAN TERPERINCI	General Purpose Relay SPDT (1 Form C) 24VAC Coil Through Hole
HUBUNGI RATING (SEMASA)	5A
HUBUNGI BAHAN	Silver Alloy, Cadmium Free
BORANG HUBUNGAN	SPDT (1 Form C)
VOLTAN COIL	24VAC
COIL JENIS	Non Latching
POWER COIL	1.2 VA
COIL SEMASA	50.0mA

Tag berkaitan

Panasonic HC1E-HP-AC24V-F	Pengedar HC1E-HP-AC24V-F	Pembekal HC1E-HP-AC24V-F
Harga HC1E-HP-AC24V-F	Gambar HC1E-HP-AC24V-F	Imej HC1E-HP-AC24V-F
Datasheet PDF HC1E-HP-AC24V-F	Muat turun Datasheet HC1E-HP-AC24V-F	Datasheet HC1E-HP-AC24V-F
Stok HC1E-HP-AC24V-F	Beli HC1E-HP-AC24V-F	Beli Panasonic HC1E-HP-AC24V-F
Panasonic HC1E-HP-AC24V-F	Pembekal Panasonic	Pengedar Panasonic
Panasonic HC1E-HP-AC24V-F	Panasonic - Consumer Division HC1E-HP-AC24V-F	Panasonic - Consumer Electronics Corp. HC1E-HP-AC24V-F
Panasonic Battery Group HC1E-HP-AC24V-F	Panasonic Electric Works - ACSD HC1E-HP-AC24V-F	Panasonic Electronic Components - Semiconductor Pr HC1E-HP-AC24V-F
Panasonic - ATG HC1E-HP-AC24V-F	Panasonic - BSG HC1E-HP-AC24V-F	Panasonic - DTG HC1E-HP-AC24V-F
Panasonic Electric Works HC1E-HP-AC24V-F	Panasonic Electronic Components HC1E-HP-AC24V-F	Panasonic Industrial Automation Sales HC1E-HP-AC24V-F
Panasonic Semiconductor HC1E-HP-AC24V-F		

Produk Berkaitan

<p>HC1E-HP-AC48V-F Pengilang: Panasonic Penerangan: RELAY GEN PURP SPDT 48VAC Dalam stok: 4697 pcs RFQ</p>	<p>HC1E-HP-AC200V-F Pengilang: Panasonic Penerangan: RELAY GEN PURP SPDT 200VAC Dalam stok: 6506 pcs RFQ</p>
<p>HC1E-HP-DC110V Pengilang: Panasonic Penerangan: RELAY GEN PURPOSE SPDT 5A 110V Dalam stok: 4736 pcs RFQ</p>	<p>HC1E-HP-AC12V-F Pengilang: Panasonic Penerangan: RELAY GEN PURP SPDT 12VAC Dalam stok: 5773 pcs RFQ</p>
<p>HC1E-HP-DC100V-F Pengilang: Panasonic Penerangan: RELAY GEN PURP SPDT 100VDC Dalam stok: 6523 pcs RFQ</p>	<p>HC1E-HP-AC24V Pengilang: Panasonic Penerangan: RELAY GEN PURPOSE SPDT 5A 24V Dalam stok: 3668 pcs RFQ</p>
<p>HC1E-HP-AC6V Pengilang: Panasonic Penerangan: RELAY GENERAL PURPOSE SPDT 5A 6V Dalam stok: 4750 pcs RFQ</p>	<p>HC1E-HP-AC240V Pengilang: Panasonic Penerangan: RELAY GEN PURPOSE SPDT 5A 240V Dalam stok: 4240 pcs RFQ</p>
<p>HC1E-HP-AC48V Pengilang: Panasonic Penerangan: RELAY GEN PURPOSE SPDT 5A 48V Dalam stok: 4733 pcs RFQ</p>	<p>HC1E-HP-AC6V-F Pengilang: Panasonic Penerangan: RELAY GEN PURP SPDT 6VAC Dalam stok: 2727 pcs RFQ</p>
<p>HC1E-HP-AC12V Pengilang: Panasonic Penerangan: RELAY GEN PURPOSE SPDT 5A 12V Dalam stok: 6410 pcs RFQ</p>	<p>HC1E-HP-AC240V-F Pengilang: Panasonic Penerangan: RELAY GEN PURPOSE SPDT 5A 240V Dalam stok: 7599 pcs RFQ</p>

