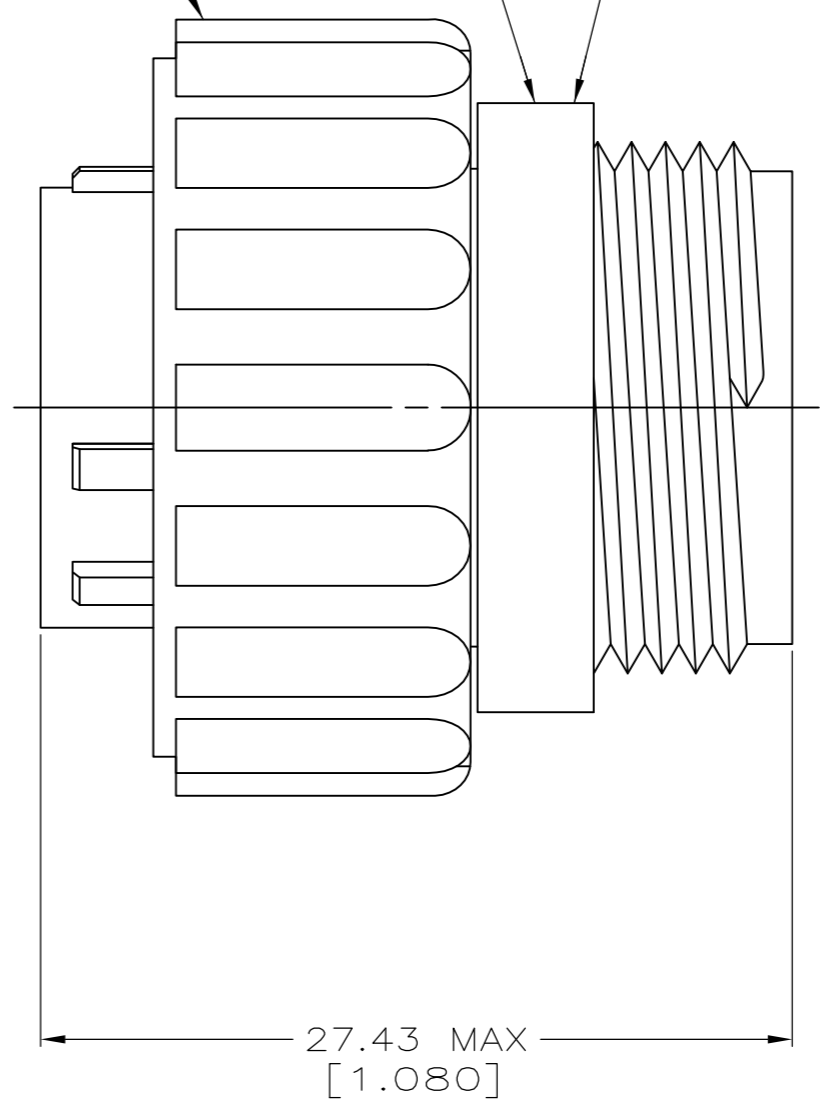


PLUG HOUSING  
 MATERIAL: GLASS FILLED NYLON,  
 6/6, BLACK

COUPLING RING  
 MATERIAL: POLYESTER, BLACK

AMP PART NO  
 THIS DIA



- CONTACT CAVITIES IDENTIFIED BY CHARACTERS ON FRONT AND REAR FACES OF CONNECTOR.
- WILL ACCEPT SEVEN (7) MULTIMATE SOCKET CONTACTS.

THIS DRAWING IS A CONTROLLED DOCUMENT FOR AMP INCORPORATED. IT IS SUBJECT TO CHANGE AND THE CONTROLLING ENGINEERING ORGANIZATION SHOULD BE CONTACTED FOR THE LATEST REVISION.

THIS DRAWING IS A CONTROLLED DOCUMENT.		DWN D.HARDY 07-01-94	211399-1	
		CHK R.STONE 08-10-94	PART NO	
		APVD A.FRANTUM 10-03-94	TE Connectivity	
DIMENSIONS: MM[INCHES]		PRODUCT SPEC APPLICATION SPEC	NAME PLUG ASSEMBLY, STANDARD SEX, 13-7, CPC	
TOLERANCES UNLESS OTHERWISE SPECIFIED: 0 PLC ± - 1 PLC ± - 2 PLC ± - 3 PLC ± - 4 PLC ± - ANGLES ± ± - FINISH -		WEIGHT -	SIZE A2	CAGE CODE 00779
MATERIAL SEE CALLOUTS		DRAWING NO G-211399		RESTRICTED TO -
		CUSTOMER DRAWING		SCALE 4:1 SHEET 1 of 1 REV D1